

## SERIES: SOSTC | DESCRIPTION: OUTPUT SMOOTHING TOROIDAL CHOKES

### FEATURES

- Using amorphous core
- Smaller size & lighter weight
- Lower core loss at higher frequencies
- Vertical PCB mount



MODEL	Rated Current $I_{dc}$ [A]	Inductance [ $\mu$ H]	DCR max [m $\Omega$ ]	Wire Diameter $\varnothing$ [mm]	Dimensions (D x H) max [mm]
SOSTC-01-1001	1	1000	360	0.5	23 x 17
SOSTC-01-1501		1500	440	0.5	23 x 17
SOSTC-01-2001		2000	460	0.5	28 x 18
SOSTC-02-0501	2	500	180	0.6	23 x 17
SOSTC-02-0751		750	220	0.6	23 x 17
SOSTC-02-1001		1000	180	0.7	29 x 18
SOSTC-02-1501		1500	230	0.7	33 x 19
SOSTC-02-2001	3	2000	290	0.7	33 x 19
SOSTC-03-0301		300	85	0.8	24 x 18
SOSTC-03-0501		500	90	0.85	29 x 18
SOSTC-03-0751		750	115	0.85	33 x 19
SOSTC-03-1001		1000	140	0.85	33 x 19
SOSTC-03-1501	5	1500	190	0.85	42 x 20
SOSTC-05-0101		100	35	1.0	24 x 18
SOSTC-05-0151		150	30	1.1	29 x 19
SOSTC-05-0201		200	40	1.1	29 x 19
SOSTC-05-0301		300	55	1.1	34 x 19
SOSTC-05-0501		500	70	1.1	43 x 21
SOSTC-05-0751	8	750	90	1.1	43 x 21
SOSTC-05-1001		1000	115	1.1	43 x 22
SOSTC-08-0051		50	14	0.9 x 2	29 x 19
SOSTC-08-0101		100	17	1.4	34 x 20
SOSTC-08-0151		150	30	0.9 x 2	34 x 20
SOSTC-08-0201		200	27	1.4	43 x 21
SOSTC-08-0301		300	35	1.4	43 x 21
SOSTC-08-0501		500	50	1.4	48 x 28
SOSTC-08-0751	750	70	1.4	56 x 28	

SOSTC-10-0031		30	9	1.0 x 2	29 x 19
SOSTC-10-0051		50	10	1.1 x 2	34 x 20
SOSTC-10-0101		100	15	1.1 x 2	34 x 20
SOSTC-10-0151	10	150	18	1.1 x 2	43 x 21
SOSTC-10-0201		200	25	1.1 x 2	43 x 21
SOSTC-10-0301		300	32	1.1 x 2	48 x 28
SOSTC-10-0501		500	45	1.1 x 2	56 x 29
SOSTC-13-0051		50	9	1.0 x 3	34 x 20
SOSTC-13-0101		100	14	1.0 x 3	43 x 21
SOSTC-13-0151	13	150	19	1.0 x 3	44 x 23
SOSTC-13-0201		200	22	1.0 x 3	48 x 28
SOSTC-13-0301		300	30	1.0 x 3	56 x 29
SOSTC-13-0501		500	40	1.0 x 3	57 x 30
SOSTC-15-0031		30	7	1.0 x 3	29 x 19
SOSTC-15-0051		50	10	1.0 x 3	34 x 20
SOSTC-15-0101		100	11	1.1 x 3	43 x 21
SOSTC-15-0151	15	150	15	1.1 x 3	48 x 28
SOSTC-15-0201		200	20	1.1 x 3	56 x 29
SOSTC-15-0301		300	25	1.1 x 3	56 x 29
SOSTC-15-0501		500	35	1.1 x 3	57 x 37
SOSTC-20-0011		10	4	1.0 x 4	29 x 19
SOSTC-20-0021		20	5	1.0 x 4	34 x 20
SOSTC-20-0031		30	6	1.1 x 4	43 x 21
SOSTC-20-0051	20	50	7	1.1 x 4	43 x 21
SOSTC-20-0101		100	9	1.1 x 4	47 x 28
SOSTC-20-0151		150	12	1.1 x 4	56 x 28
SOSTC-20-0201		200	16	1.1 x 4	57 x 35
SOSTC-25-0011		10	3	1.0 x 5	34 x 20
SOSTC-25-0021		20	4	1.1 x 5	43 x 21
SOSTC-25-0031		30	5	1.1 x 5	43 x 21
SOSTC-25-0051	25	50	7	1.1 x 5	47 x 28
SOSTC-25-0101		100	8	1.1 x 5	56 x 28
SOSTC-25-0151		150	11	1.1 x 5	57 x 35
SOSTC-30-0011		10	3	1.0 x 6	34 x 20
SOSTC-30-0021		20	4	1.1 x 6	43 x 21
SOSTC-30-0031	30	30	4	1.1 x 6	44 x 23
SOSTC-30-0051		50	6	1.1 x 6	56 x 27
SOSTC-30-0101		100	7	1.1 x 6	57 x 35
SOSTC-40-0011		10	3	1.1 x 8	43 x 21
SOSTC-40-0021		20	3	1.1 x 8	47 x 28
SOSTC-40-0031	40	30	4	1.1 x 8	56 x 28
SOSTC-40-0051		50	5	1.1 x 8	57 x 35

**Notes:***Electrical parameters measured at ambient temperature 25°C.**Inductance measured at 20 kHz.**Inductance tolerance  $\pm 20\%$ .**Class 1 enameled wire PEW 130°C.*

## PART NUMBER KEY

**SOSTC - XX - XXXX**

**Type / Product Series**

**SOSTC** = Signal Output Smoothing Toroidal Chokes

**Rated Current (I<sub>dc</sub>)**

**01** = 1 A  
**10** = 10 A

**Inductance \***

**0031** = 30  $\mu$ H  
**0501** = 500  $\mu$ H  
**1501** = 1500  $\mu$ H

\* Note: Inductance expressed by three figures. The unit is micro henry ( $\mu$ H). The first and second figures are significant digits, the third figure expresses the number of zeros which follow the two figures. If there is a decimal point, it is expressed by the capital letter "R" (3R8 = 3.8  $\mu$ H). In that case, all figures are significant digits.

## SAFETY AND COMPLIANCE

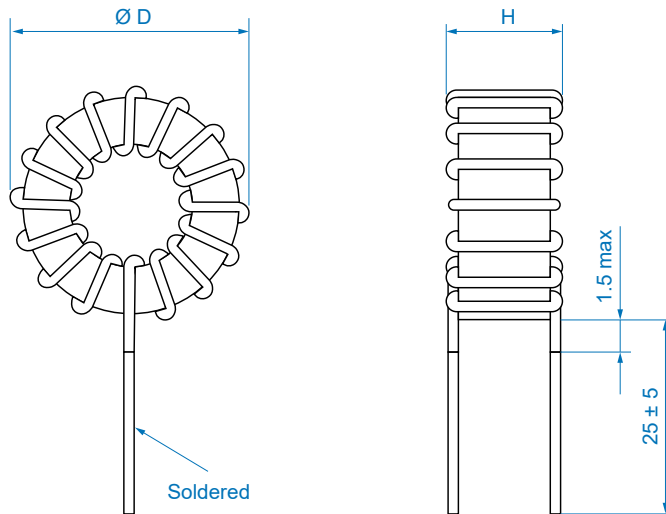
Parameter	Compliant
Safety approvals	
RoHS	Compliance with RoHS, REACH and Halogen Free

## ENVIRONMENTAL

Parameter	Conditions	Min	Typ	Max	Units
Operating temperature		-40		130	$^{\circ}$ C

## MECHANICAL DRAWING & DIMENSIONS

Units: mm



## REVISION HISTORY

Rev.	Description	Date
1	Initial release	03/03/2026
A		

**NUCLEAR APPLICATIONS** - Products are not designed or intended for use as critical components in equipment used in hazardous environments, or nuclear control systems.

**TECHNICAL REVISIONS** - The appearance of products, including safety agency certifications pictured on labels, may change depending on the date manufactured. Specifications are subject to change without notice.



Bel Fuse Inc.  
300 Executive Drive, Suite 300  
West Orange, NJ 07052  
United States

© 2026 Bel Fuse Inc.

Toll Free 866-239-5777  
Tel 516-239-5777 | Fax 516-239-7208  
sales@signaltransformer.com  
techhelp@signaltransformer.com

[belfuse.com](http://belfuse.com)