

SERIES: SDMTC | DESCRIPTION: DIFFERENTIAL MODE HIGH TEMPERATURE TOROIDAL CHOKES

FEATURES

- High energy storage capability
- Excellent electromagnetic shielding
- High current handling capacity
- Low current roll-off
- Operating temperature -40°C to +180°C, Class H
- Vertical and horizontal PCB mount versions available



MODEL ⁴	Inductance ¹ ±15% [μH]	I _{RMS} ² [A]	I _{DC} ³ [A]	DCR max [mΩ]	SRF typ [MHz]	Dimensions			Weight max [g]
						A max [in]	B typ [in]	C ref [in]	
SDMTC-37A-780	78	37	63	7.5	4.2	1.85	0.07 x 0.14	1.50	435
SDMTC-33A-131	131	33	48	10.0	3.3	1.85	0.10	1.50	470
SDMTC-27A-181	183	27	42	14.0	2.9	1.85	0.09	1.50	455
SDMTC-22A-241	243	22	36	20.0	2.5	1.85	0.08	1.50	445
SDMTC-18A-311	312	18	32	28.5	2.1	1.85	0.07	1.50	430
SDMTC-16A-391	390	16	28	40.0	2.0	1.85	0.06	1.50	420
SDMTC-63A-390	39	63	90	4.0	5.8	1.85	0.10 x 0.20	1.50	455
SDMTC-63A-190	19	63	90	2.0	9.5	1.10	0.10 x 0.20	0.75	255
SDMTC-53A-230	23	53	83	2.5	8.5	1.10	0.09 x 0.18	0.75	245
SDMTC-44A-300	30	44	72	3.5	7.2	1.10	0.08 x 0.16	0.75	235
SDMTC-37A-390	39	37	63	4.5	6.2	1.10	0.07 x 0.14	0.75	230
SDMTC-33A-650	65	33	48	6.5	5.2	1.10	0.10	0.75	245
SDMTC-31A-490	49	31	57	6.5	6.0	1.10	0.06 x 0.12	0.75	225
SDMTC-27A-910	91	27	42	9.0	4.4	1.10	0.09	0.75	245
SDMTC-16A-191	195	16	28	34.5	2.9	1.10	0.06	0.75	220

Notes:

Electrical parameters measured at ambient temperature 25°C.

¹ Inductance measured at 10 kHz, 1 V_{rms}.

² I_{RMS} is the rated current at which the temperature rise is ΔT ≤ 40°C.

³ I_{DC} is the current that causes the inductance to drop ΔL ≤ 30% from its initial value.

⁴ Add suffix to part number: -H for horizontal, or -V for vertical mount.

PART NUMBER KEY

SDMTC - XXA - XXX - X

Type / Product Series

SDMTC = Signal Differential Mode Toroidal Chokes

Rated Current (I_{RMS})

37A = 37 Amps

16A = 16 Amps

44A = 44 Amps

Mounting

V = vertical

H = horizontal

Inductance *

780 = 78 μ H

181 = 183 μ H

* Note: Inductance expressed by three figures. The unit is micro henry (μ H). The first and second figures are significant digits, the third figure expresses the number of zeros which follow the two figures. If there is a decimal point, it is expressed by the capital letter "R" (3R8 = 3.8 μ H). In that case, all figures are significant digits.

SAFETY AND COMPLIANCE

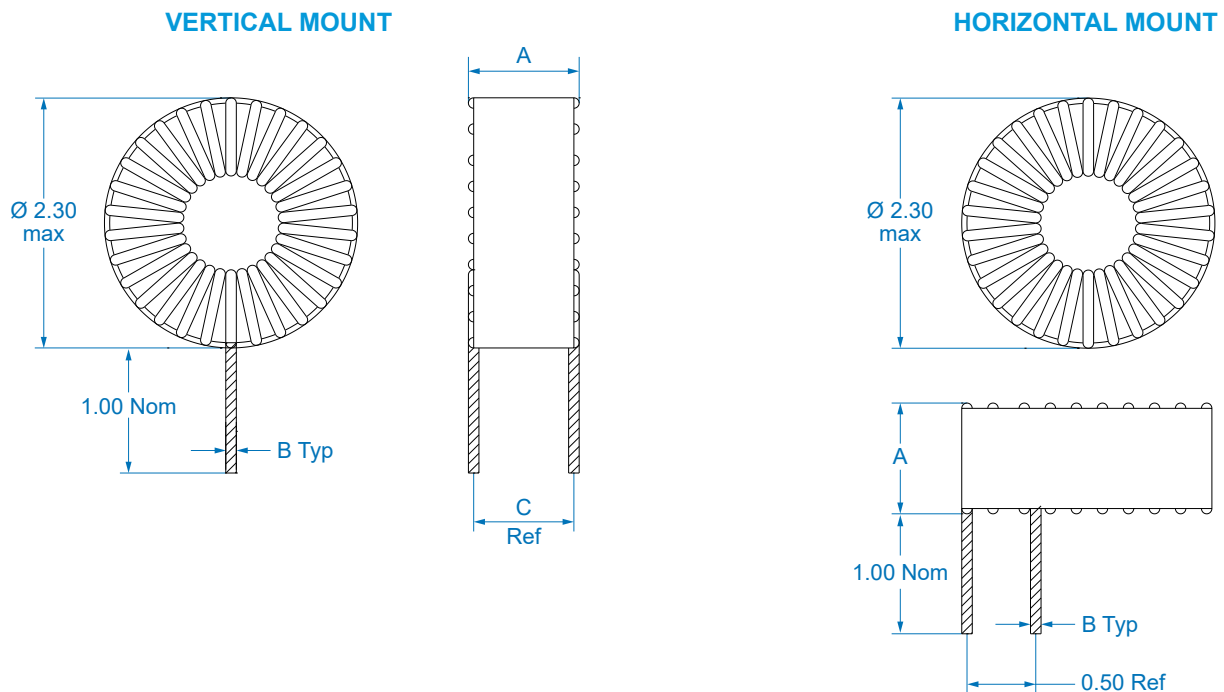
Parameter	Compliant
Safety approvals	
RoHS	Compliance with RoHS, REACH and Halogen Free

ENVIRONMENTAL

Parameter	Conditions	Min	Typ	Max	Units
Operating temperature		-40		+180	$^{\circ}$ C

MECHANICAL DRAWING & DIMENSIONS

Units: in



REVISION HISTORY

Rev.	Description	Date
1	initial release	02/17/2026
A		

TECHNICAL REVISIONS - The appearance of products, including safety agency certifications pictured on labels, may change depending on the date manufactured. Specifications are subject to change without notice.



Bel Fuse Inc.
300 Executive Drive, Suite 300
West Orange, NJ 07052
United States

© 2026 Bel Fuse Inc.

Toll Free 866-239-5777
Tel 516-239-5777 | Fax 516-239-7208
sales@signaltransformer.com
techhelp@signaltransformer.com

belfuse.com