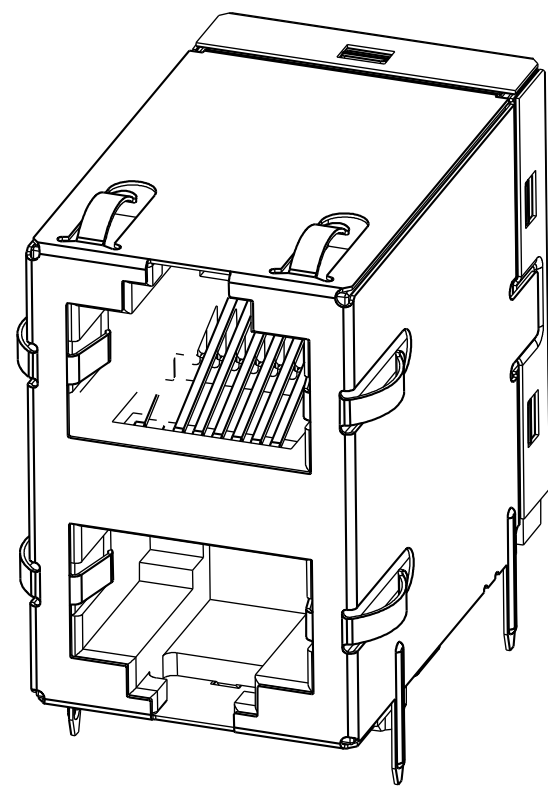


THIS DRAWING AND THE SUBJECT MATTER SHOWN THEREON ARE CONFIDENTIAL AND THE PROPERTY OF BEL/STEWART/TRP CONNECTOR AND SHALL NOT BE REPRODUCED, COPIED, OR USED IN ANY MANNER WITHOUT THE WRITTEN CONSENT OF TRP CONNECTOR.

PRODUCT MAY BE PROTECTED BY ONE OR MORE OF THE FOLLOWING US PATENTS:  
 5736910 5939955 6425781 6428361 6554638 6840817 7123117  
 7429195 7717749 7808751 6217391 6149050 7924130

REVISIONS				
P	LYR	DESCRIPTION	DATE	APPD
D		EC-1411035 COMPANY LOGO CHANGE	04JAN2015	RL TY



1. MATERIALS:  
 PLASTIC HOUSING: BLACK, THERMOPLASTIC FLAMMABILITY RATING UL 94V-0  
 SHIELD: BRASS, PREPLATED WITH 0.76um MIN SEMI-BRIGHT NICKEL,  
 POST DIPPED WITH 2.54um MIN SAC SOLDER ON SOLDER TAILS,  
 CONTACTS: PHOSPHOR BRONZE, 1.27um MIN OVERALL NICKEL  
 UNDERPLATE WITH SELECT 1.27um MIN GOLD AT MATING INTERFACE  
 AND 2.54um MIN MATTE TIN ON SOLDER TAILS.  
 ALL PC BOARDS: HIGH TEMPERATURE PCB, TG>170°C

2. MAGNETICS  
 APPLICATION: 10/100 BASE-T, PoE PLUS  
 IMPEDANCE: 100 OHMS  
 TURNS RATIO (CHIP:CABLE): TX=1:1, RX=1:1  
 OPEN CIRCUIT INDUCTANCE (OCL):  
 350uH MIN @100kHz, 0.1VRMS, 8mADC BIAS FROM 0°C TO 70°C  
 120uH MIN @100kHz, 0.1VRMS, 19mADC BIAS FROM 0°C TO 70°C  
 POE CURRENT: 600mADC MAX  
 PERFORMANCE @ 25°C:  
 INSERTION LOSS (IL): 1.1dB MAX FROM 0.5MHz TO 100MHz  
 RETURN LOSS (RL): 18dB MIN FROM 0.5MHz TO 40MHz  
 12-20LOG(f/80)dB MIN FROM 40.1MHz TO 100MHz  
 CROSSTALK ATTENUATION: 35dB MIN FROM 0.5MHz TO 40MHz  
 33-20LOG(f/50)dB MIN FROM 40.1MHz TO 100MHz  
 COMMON MODE REJECTION RATIO (CMRR): 30dB MIN FROM 0.5MHz TO 100MHz  
 ISOLATION VOLTAGE: 2250 VDC (MAX) FOR 60 SECS WITH A RISE TIME OF  
 500V/SEC AND ALL PORTS CONNECTED.

3. PART NUMBER, DATE CODE AND COUNTRY OF ORIGIN LOCATED IN APPROXIMATE AREA SHOWN  
 DATE CODE: YYWWD WHERE "YY" IS YEAR, "WW" IS WORK WEEK, "D" IS DAY OF WEEK,  
 WITH SUNDAY =1

4. TRP LOGO AND AGENCY APPROVAL LOGO ARE  
 LOCATED IN APPROXIMATE AREA SHOWN.

5. OPERATING TEMP: FROM 0°C TO +70°C.

6. RJ45 CAVITY CONFORMS TO FCC RULES AND REGULATION PART 68 SUBPART F.

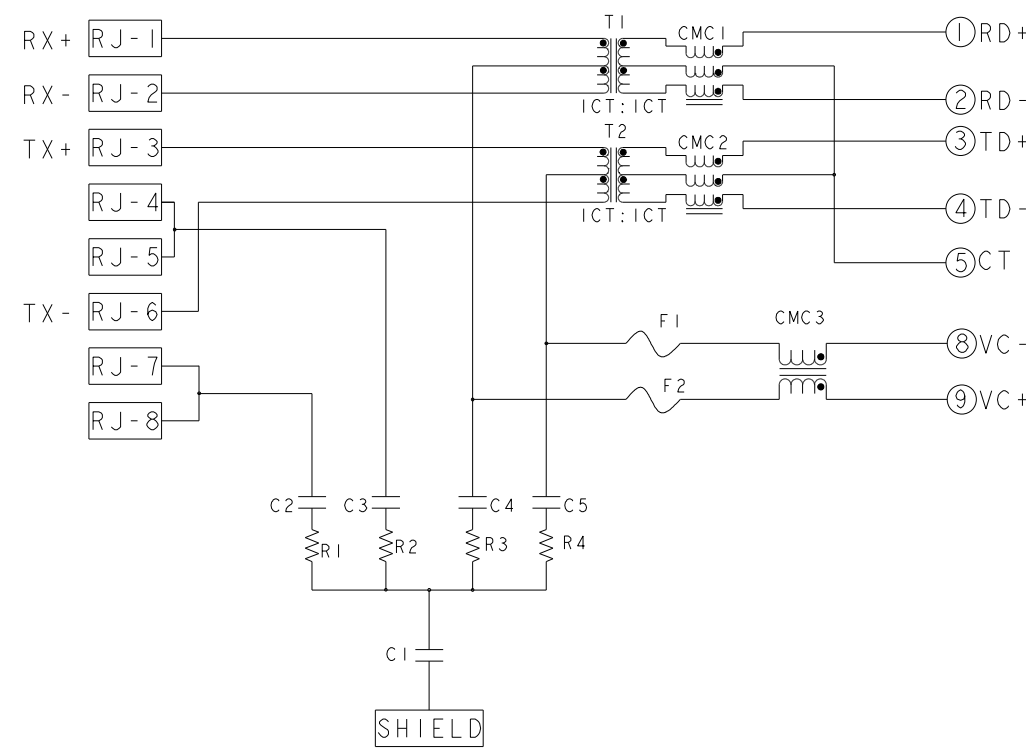
7. INDICATED MAGNETIC CONNECTIONS ARE SYMMETRICAL AND  
 SUPPORT AUTO-MDI/MDIX.

8. DATUM AND BASIC DIMENSION ESTABLISHED BY CUSTOMER.

9. BASIC DIMENSION ESTABLISHED BY CUSTOMER, BUT MAY NOT BE  
 GREATER THAN 5.08mm.

10. THE PARTS ARE RECOMMENDED FOR WAVE SOLDERING PROCESS,  
 PEAK TEMPERATURE 260°C MAX, 10 SECONDS MAX.

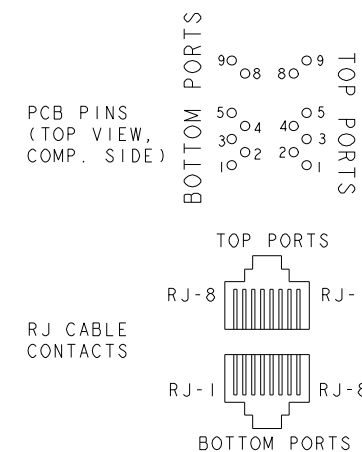
S8H95 10/100 PoE+ CIRCUIT  
 TOP AND BOTTOM PORTS



C1: 1000pF, 2kV, DECOUPLING CAPACITOR  
 C2~C5 : 22nF, CAPACITORS  
 R1~R4 : 75 Ohms, RESISTORS  
 F1~F2: 1.5A, 63V

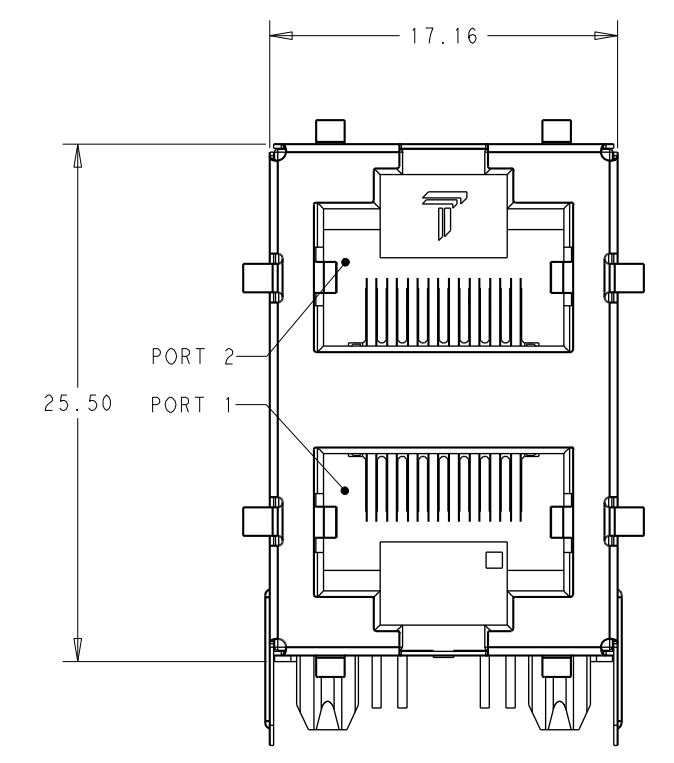
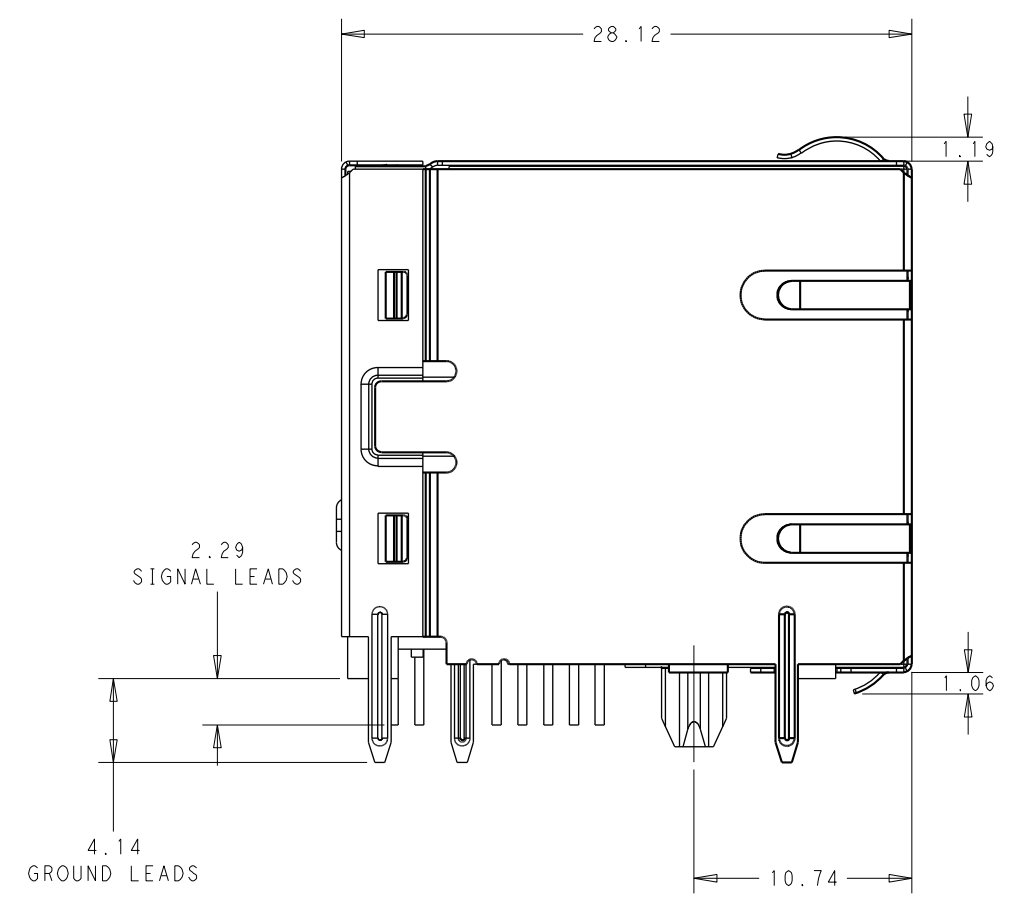
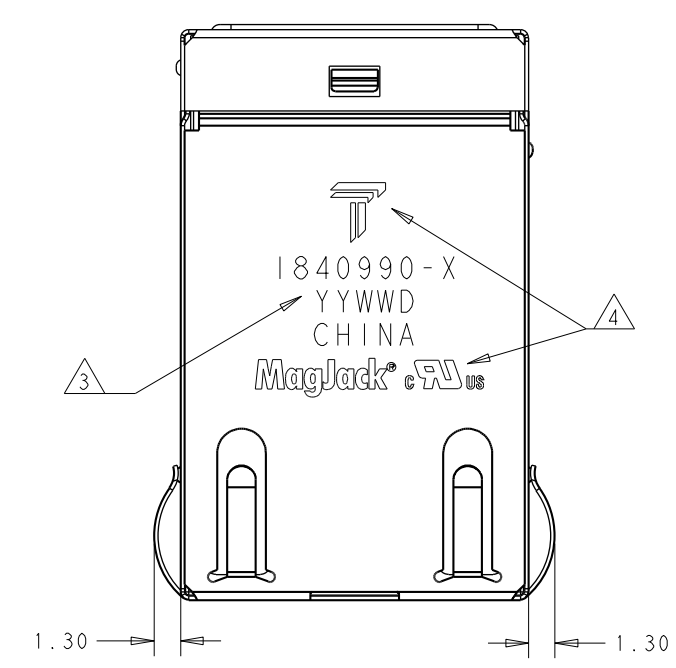
PIN DESIGNATIONS


(REPEAT FOR EACH VERTICAL PAIR OF PORTS.)

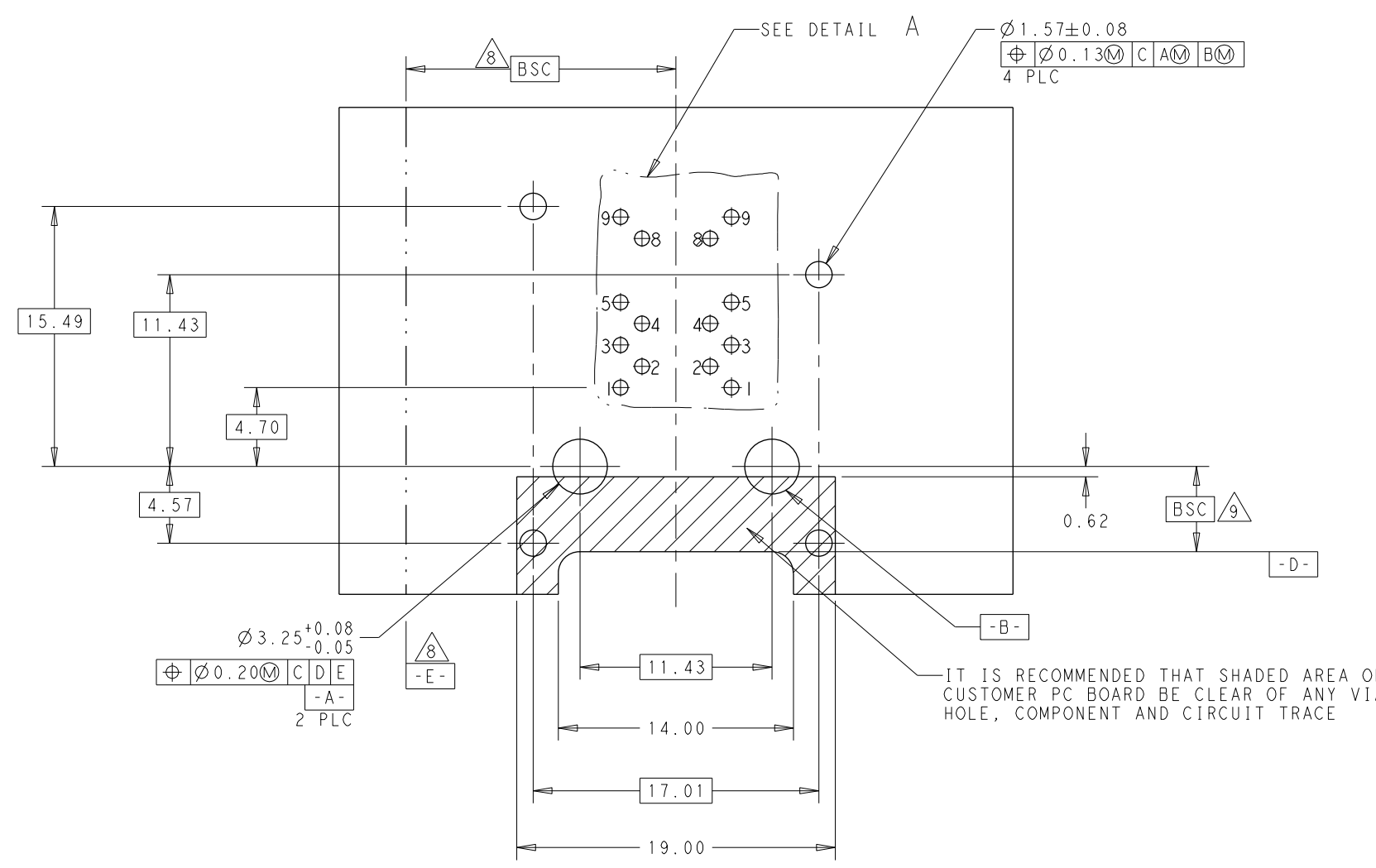


1840990-1  
 PART  
 NUMBER

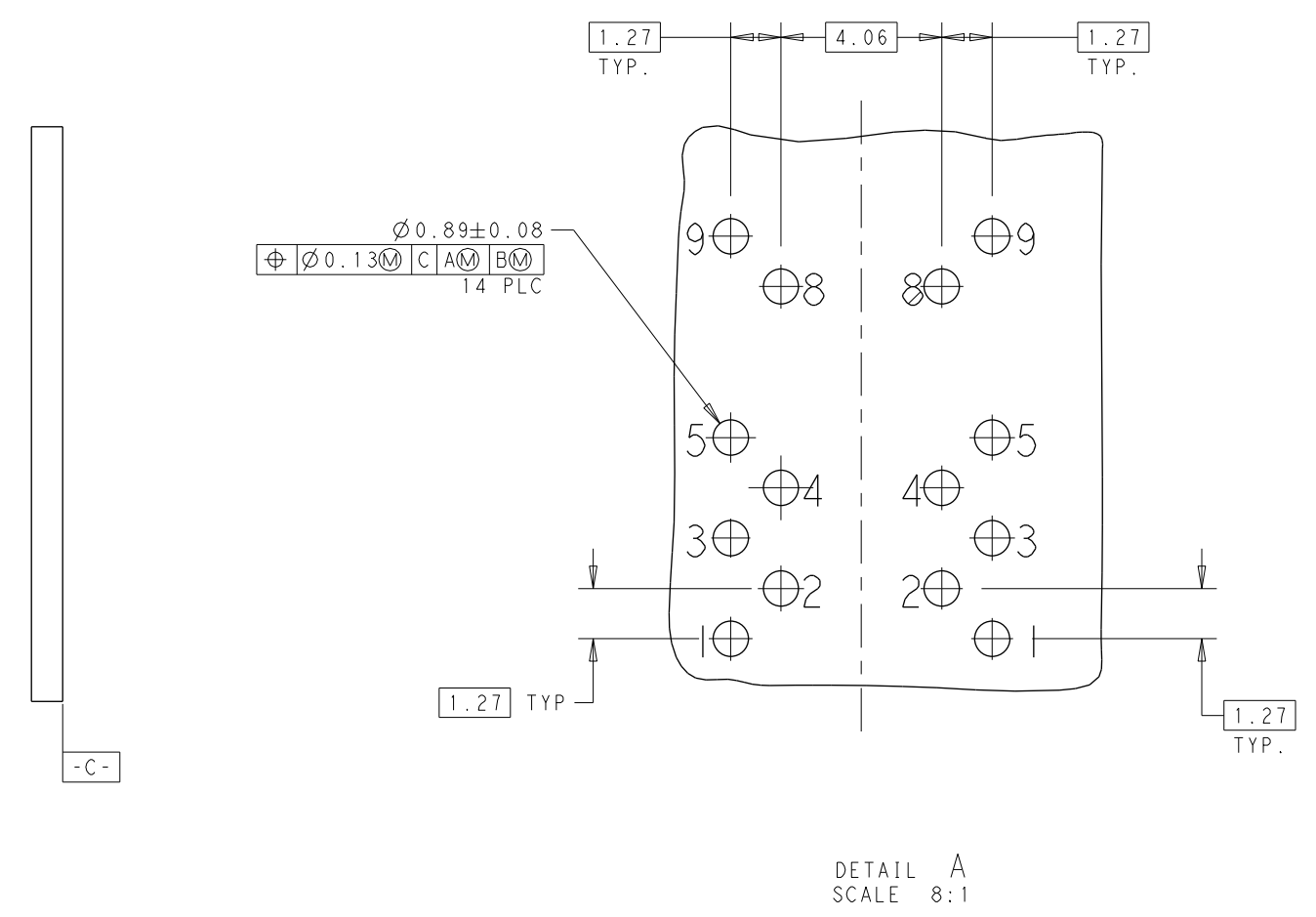
THIS DRAWING IS A CONTROLLED DOCUMENT.		OWN: TOM HSU/SEAN HE 12AUG2010	 <b>trp</b> CONNECTOR DONGGUAN CHINA <small>a bel group</small>
DIMENSIONS: mm		CHK: TONY YUAN 12AUG2010	
TOLERANCES UNLESS OTHERWISE SPECIFIED:		APPD: KEITH ZHU 12AUG2010	
	0 PLC ±0.25 1 PLC ±0.25 2 PLC ±0.25 3 PLC ± 4 PLC ± ANGLES ± APPLICATION SPEC ±	MODEL NAME: MAGJACK	DESC: 2X1, S8H95 10/100 PoE PLUS CIRCUIT
PRODUCT SPEC: 108-104004	APPLICATION SPEC: -	SIZE: A1	RESTRICTED TO: -
CUSTOMER DRAWING		SCALE: NTS	SHEET 1 OF 3 REV D



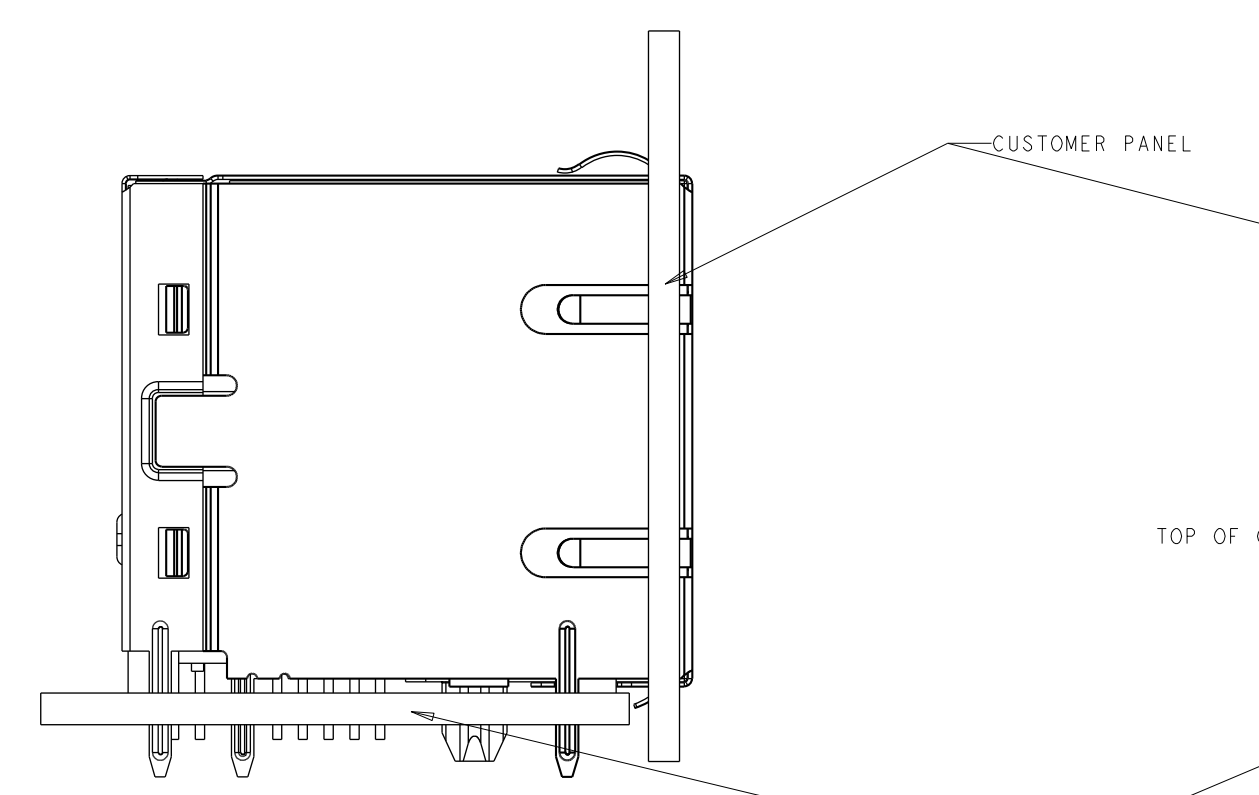
THIS DRAWING IS A CONTROLLED DOCUMENT.		DNW: TOM HSU/SEAN HE 12AUG2010	 <b>trp</b> CONNECTOR <small>a bel group</small>	DONGGUAN CHINA	
DIMENSIONS: mm		CHK: TONY YUAN 12AUG2010		DESC: 2X1, S8H95 10/100 PoE PLUS CIRCUIT	
TOLERANCES UNLESS OTHERWISE SPECIFIED:		APPV: KEITH ZHU 12AUG2010		MODEL NAME: MAGJACK	RESTRICTED TO: -
0 PLC ±0.25 1 PLC ±0.25 2 PLC ±0.25 3 PLC ± 4 PLC ± ANGLES ± APPLICATION SPEC -	PRODUCT SPEC 108-104004 APPLICATION SPEC -	MODEL NAME: MAGJACK STACK PoE PLUS CUSTOMER DRAWING	SIZE: A1 CAGE CODE: C=1840990 SCALE: NTS	SHEET 2 OF 3 REV D	



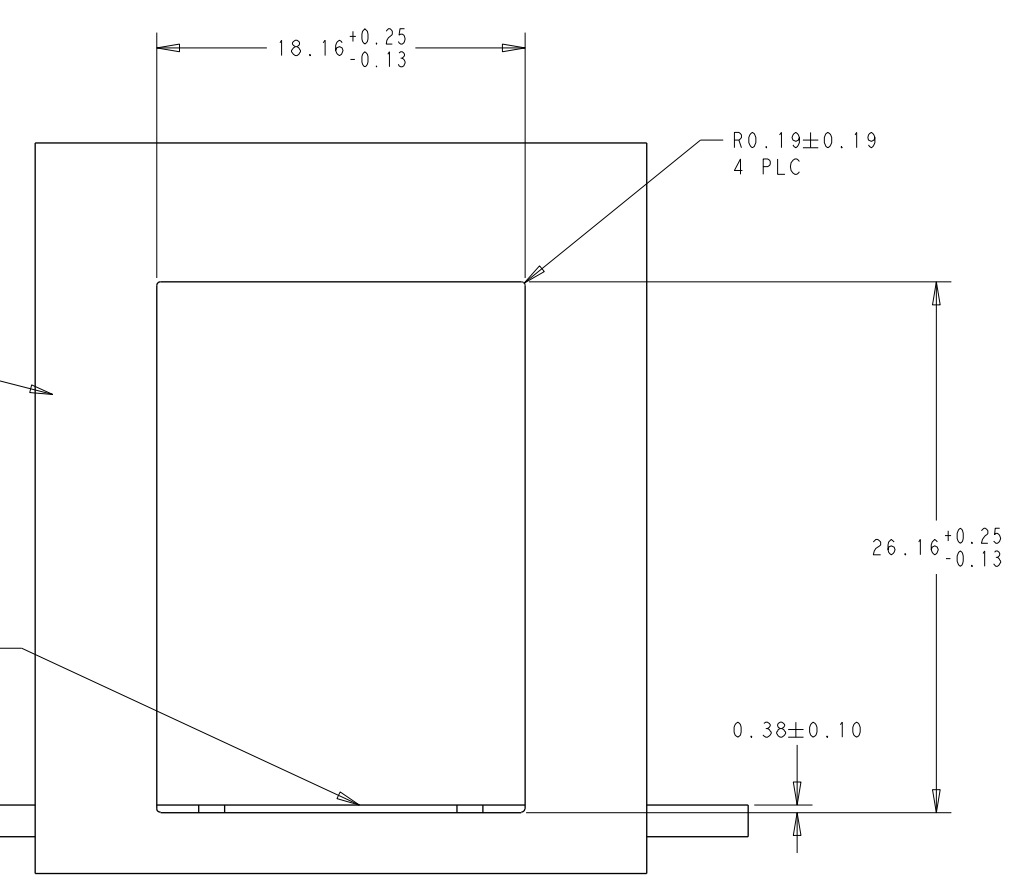
RECOMMENDED PCB LAYOUT  
COMPONENT SIDE VIEW



DETAIL A  
SCALE 8:1



SHOWN WITH PANEL AND  
CUSTOMER PCB ASSEMBLY



SUGGESTED PANEL CUTOUT DIMENSIONS

THIS DRAWING IS A CONTROLLED DOCUMENT.		DNW TOM HSU/SEAN HE 12AUG2010	 DONGGUAN CHINA	
DIMENSIONS: mm		CHK TONY YUAN 12AUG2010		
TOLERANCES UNLESS OTHERWISE SPECIFIED:		APPV KEITH ZHU 12AUG2010		
0 PLC ±0.25 1 PLC ±0.25 2 PLC ±0.25 3 PLC ± 4 PLC ± ANGLES ± APPLICATION SPEC ±	MODEL NAME MAGJACK	DESC 2X1, S8H95 10/100 PoE PLUS CIRCUIT	RESTRICTED TO	
PRODUCT SPEC 108-104004		STACK PoE PLUS	SCALE A1	SIZE C=1840990
CUSTOMER DRAWING		SCALE NTS	SHEET 3	REV D