

THE INFORMATION CONTAINED HEREIN IS CONSIDERED "PROPRIETARY" TO BEL FUSE INC. AND SHALL NOT BE COPIED, REPRODUCED OR DISCLOSED WITHOUT THE WRITTEN APPROVAL OF BEL FUSE INC.

LED 1 POLARITY			LED 2 POLARITY		
PIN 17	PIN 18	COLOR	PIN 19	PIN 20	COLOR
-	+	YELLOW	+	-	ORANGE
			-	+	GREEN

RoHS



ELECTRICAL CHARACTERISTICS @ 25°C

URNS RATIO

TP1	1CT : 1CT ±2%
TP2	1CT : 1CT ±2%
TP3	1CT : 1CT ±2%
TP4	1CT : 1CT ±2%

DCL @ 100kHz/100mVRMS (4CHANNEL)

8mA DC BIAS	350µH MIN.
23mA DC BIAS	120µH MIN.

INS. LOSS

0.1MHz TO 1MHz	-1.1 dB MAX
1MHz TO 65MHz	-0.8 dB MAX
65MHz TO 100MHz	-1.0 dB MAX
100MHz TO 125MHz	-1.2 dB MAX

RET. LOSS (MIN)

0.5MHz-40MHz	-18 dB
40MHz-100MHz	-12+20LOG(f/80MHz) dB

CM TO CM REJ

100kHz - 100MHz	-30 dB MIN
-----------------	------------

CM TO DM REJ

100kHz - 100MHz	-35 dB MIN
-----------------	------------

HIPOT (Isolation Voltage):

2250 VDC

100% OF PRODUCTION TESTED TO COMPLY WITH IEEE 802.3 ISOLATION REQUIREMENTS

BALANCED DC LINE CURRENT 1A MAX CONTINUOUS

1.2 A MAX, FOR 200 MILLISECONDS

LED 1

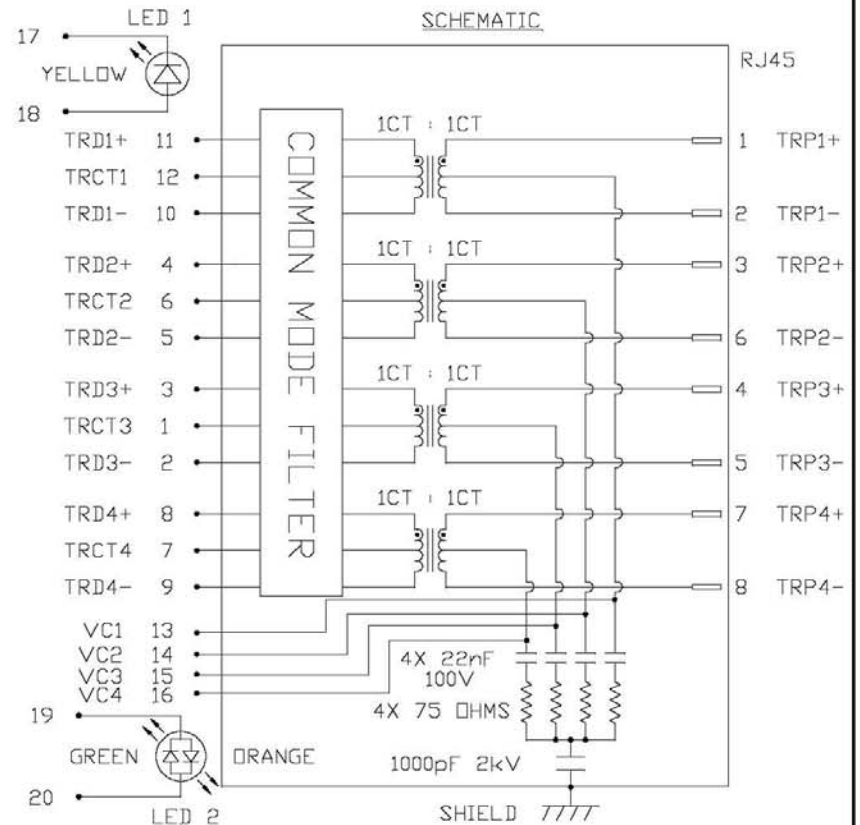
VF (FORWARD VOLTAGE)	IF=20mA YELLOW 2.1V TYP.
λD (DOMINANT WAVELENGTH)	IF=20mA YELLOW 590nm TYP.

LED 2

VF (FORWARD VOLTAGE)	IF=20mA GREEN 2.2V TYP.
	ORANGE 2.0V TYP.
λD (DOMINANT WAVELENGTH)	IF=20mA GREEN 570nm TYP.
	ORANGE 605nm TYP.

OPERATING TEMPERATURE:

-40°C TO 100°C



REV. : PA PAGE : 2

ORIGINATED BY
CHOW WANCHUNG
DATE 2018-11-19
DRAWN BY
XIE YIMING
DATE 2018-11-19

TITLE
1X2 glgabit MagJack®
(4PPoE, 100W, Extended Temp.)
0826-1X2T-HS-F
PATENTED

PART NO. / DRAWING NO.
08261X2THS-F
FILE NAME
08261X2THS-F_PA.DWG

STANDARD DIM. [] METRIC DIM.
TOL. IN INCH AS REF.
.X UNIT : INCH [mm]
.XX SCALE : N/A
.XXX SIZE : A4



THE INFORMATION CONTAINED HEREIN IS CONSIDERED "PROPRIETARY" TO BEL FUSE INC. AND SHALL NOT BE COPIED, REPRODUCED OR DISCLOSED WITHOUT THE WRITTEN APPROVAL OF BEL FUSE INC.

RoHS

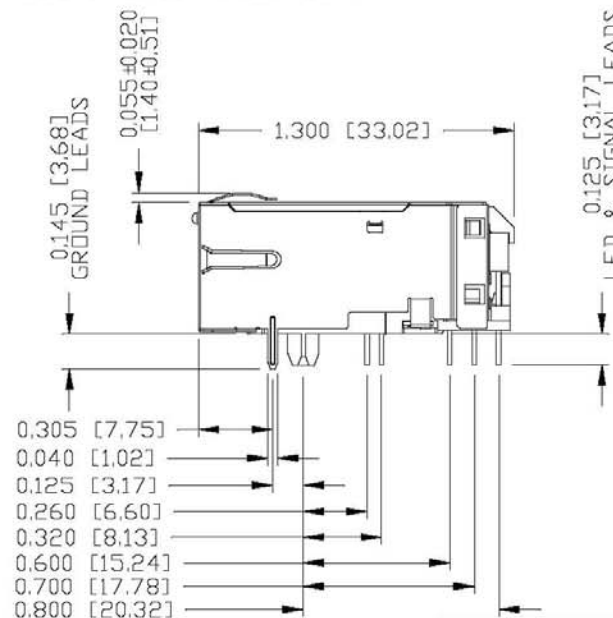
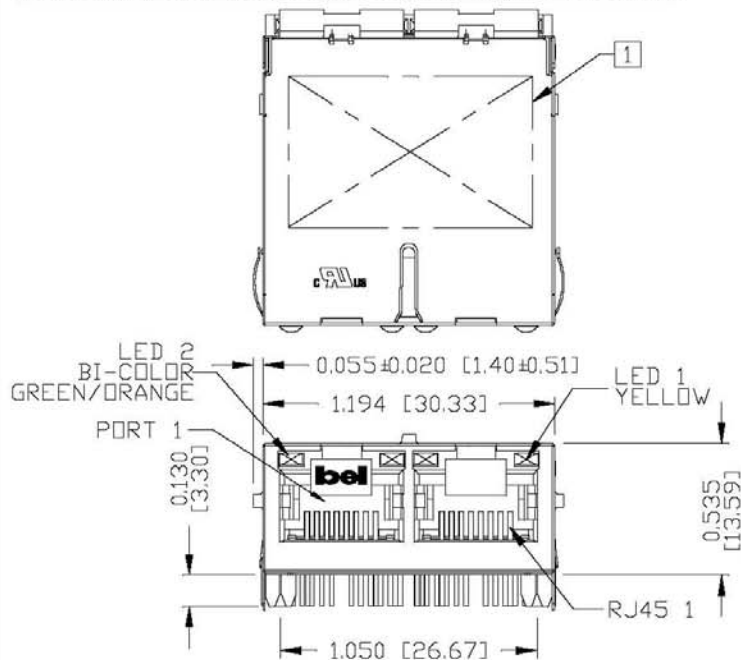


REMARK:
CURRENTLY NOT SHIELD & BOTTOM PLATE TOOLING.

NOTES:

- PLASTIC HOUSING: THERMOPLASTIC PBT, BLACK
FLAMMABILITY RATING UL 94V-0
- CONTACTS: 50 MICRO-INCH HARD GOLD PLATING
OR EQUIVALENT.
- OUTPUT PINS: TIN-COATED COPPER WIRE, DIA 0.018 INCH,
100 MICRO-INCH MIN MATTE TIN,
PINS ARE SOLDER DIPPED.
- METAL SHIELD: NICKEL PLATED ON COPPER ALLOY,
(ALL GROUND LEADS ARE SOLDER DIPPED)

[1] MARK PART WITH MFG LOGO, MFG NAME, PART NUMBER,
DATE CODE AND PATENTED.



2. THE PRODUCT IS PATENTED. THE PATENT NUMBER IS U.S. PAT. 7,123,117.
3. THE PRODUCT IS RoHS COMPLIANT.
- UL RECOGNIZED - FILE #E196366 AND E169987.
4. JACK CAVITY CONFORMS TO FCC RULES AND REGULATIONS.
5. THE PART IS RECOMMENDED FOR WAVE SOLDERING. THE SUGGESTED PEAK WAVE SOLDERING CONDITION IS 260°C MAX AND 10 SECONDS MAX.

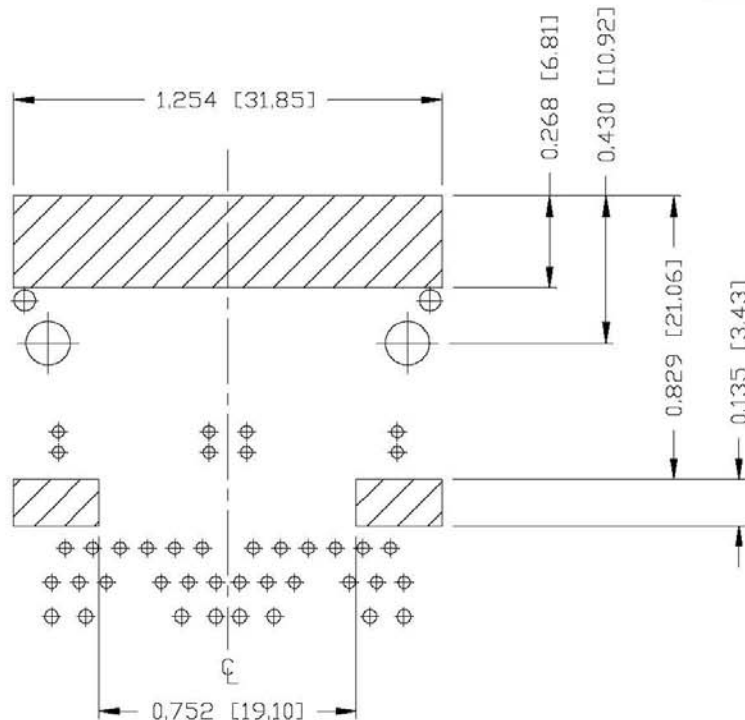
REV. : PA PAGE : 3

ORIGINATED BY LI QUANKUN DATE 2018-11-19	TITLE 1X2 gJgabit MagJack® (4PPoE, 100W, Extended Temp.) 0826-1X2T-HS-F PATENTED	PART NO. / DRAWING NO. 08261X2THS-F	STANDARD DIM.	[] METRIC DIM.
			TOL. IN INCH	AS REF.
			.X	UNIT : INCH [mm]
DRAWN BY LV YONGDONG DATE 2018-11-19		FILE NAME 08261X2THS-F_PA.DWG	.XX	SCALE : N/A
			.XXX ±0.010	SIZE : A4



THE INFORMATION CONTAINED HEREIN IS CONSIDERED "PROPRIETARY" TO BEL FUSE INC. AND SHALL NOT BE COPIED, REPRODUCED OR DISCLOSED WITHOUT THE WRITTEN APPROVAL OF BEL FUSE INC.

RoHS



NOTES

THE SHADED AREA ON THE CUSTOMER BOARD ARE RECOMMENDED TO BE CLEAR OFF ANY VIA HOLE OR COMPONENT PAD.

ORIGINATED BY
LI QUANKUN
DATE 2018-11-19
DRAWN BY
LV YONGDONG
DATE 2018-11-19

TITLE
1X2 gJgabit MagJack®
(4PPoE, 100W, Extended Temp.)
0826-1X2T-HS-F
PATENTED

PART NO. / DRAWING NO.
08261X2THS-F
FILE NAME
08261X2THS-F_PA.DWG

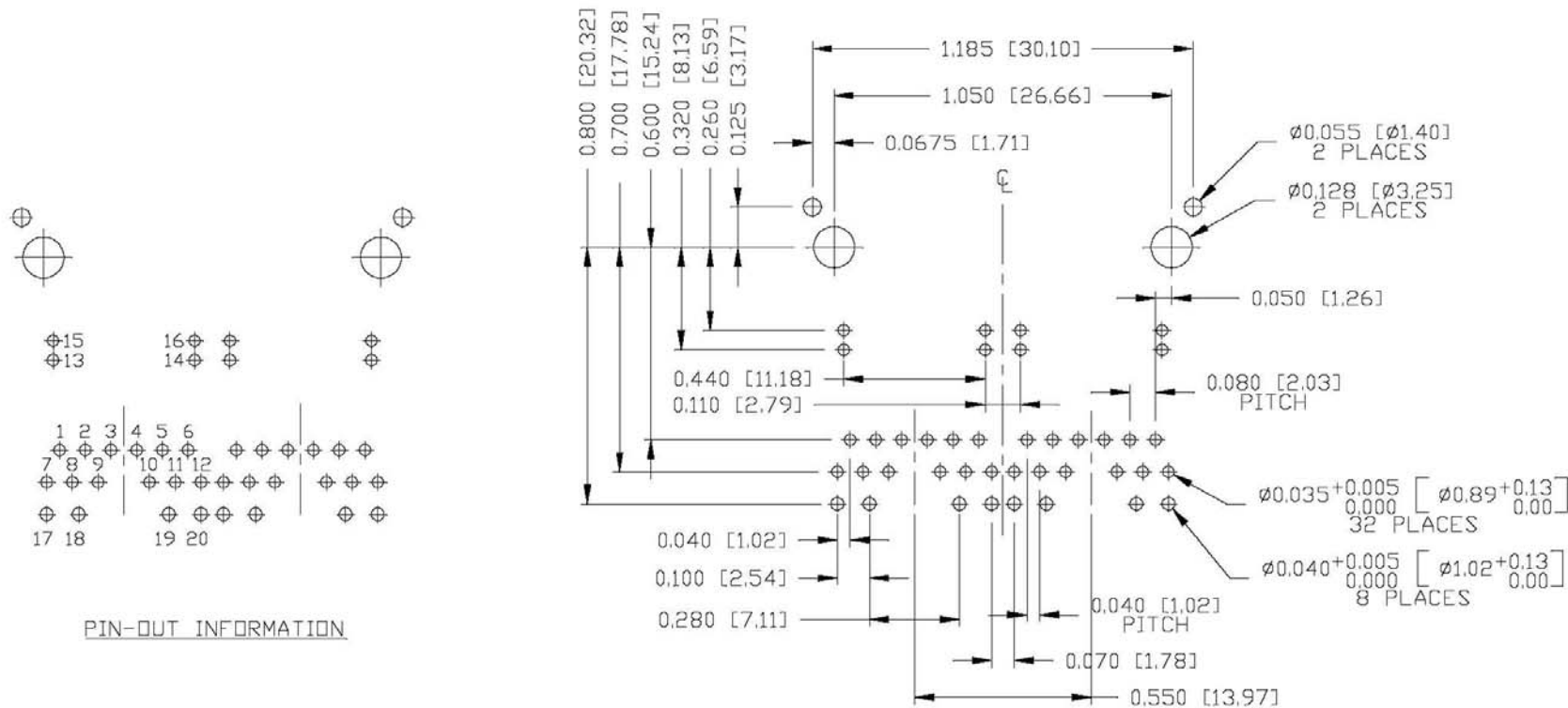
STANDARD DIM. TOL. IN INCH	[] METRIC DIM. AS REF.
.X	UNIT : INCH [mm]
.XX	SCALE : N/A
.XXX ±0.004	SIZE : A4

REV. : PA	PAGE : 4
<p>bel MAGNETIC SOLUTIONS a bel group</p>	

THE INFORMATION CONTAINED HEREIN IS CONSIDERED "PROPRIETARY" TO BEL FUSE INC. AND SHALL NOT BE COPIED, REPRODUCED OR DISCLOSED WITHOUT THE WRITTEN APPROVAL OF BEL FUSE INC.

RECOMMENDED PCB FOOTPRINT
COMPONENT SIDE VIEW

RoHS



PIN-OUT INFORMATION

ORIGINATED BY
LI QUANKUN
DATE 2018-11-19

DRAWN BY
LV YONGDONG
DATE 2018-11-19

TITLE
1X2 glgabit MagJack®
(4PPoE, 100W, Extended Temp.)
0826-1X2T-HS-F
PATENTED

PART NO. / DRAWING NO.
08261X2THS-F

FILE NAME
08261X2THS-F_PA.DWG

STANDARD DIM. TOL. IN INCH	[] METRIC DIM. AS REF.
.X	UNIT : INCH [mm]
.XX	SCALE : N/A
.XXX ±0.004	SIZE : A4

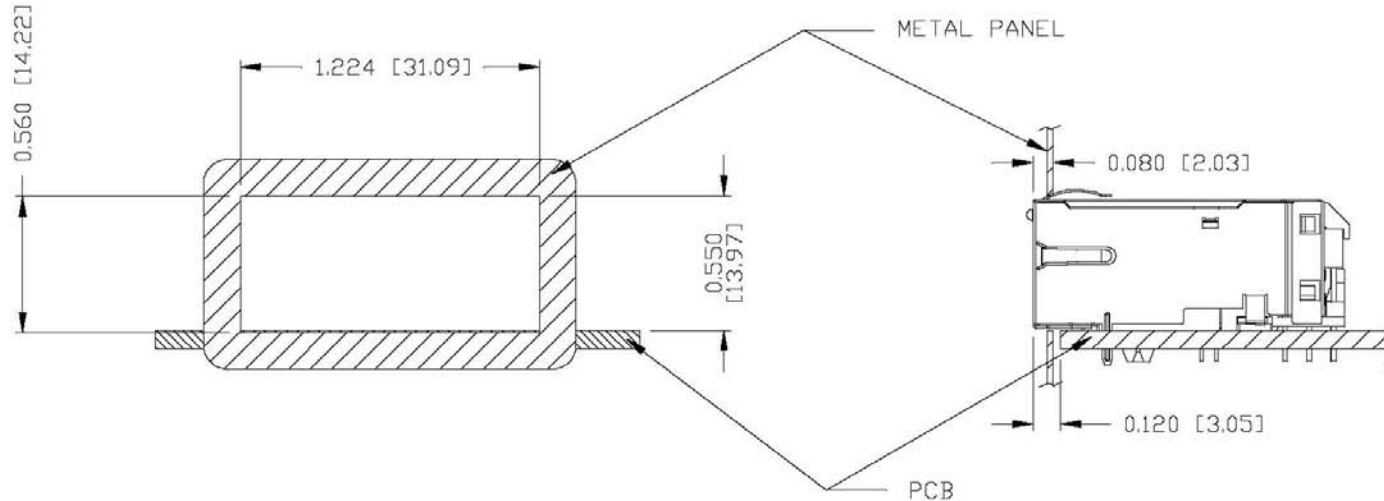
REV. :	PA	PAGE :	5
--------	----	--------	---

bel MAGNETIC SOLUTIONS
a bel group

THE INFORMATION CONTAINED HEREIN IS CONSIDERED "PROPRIETARY" TO BEL FUSE INC. AND SHALL NOT BE COPIED, REPRODUCED OR DISCLOSED WITHOUT THE WRITTEN APPROVAL OF BEL FUSE INC.

SUGGESTED PANEL OPENING

RoHS



NOTES:

THE DISTANCE OF PANEL INSIDE SURFACE RELATIVE TO FRONT SURFACE OF PART IS ONLY A SUGGESTION. IN CASE THIS DISTANCE IS DIFFERENT, THE REQUIRED PANEL OPENING DIMENSIONS CHANGE ACCORDINGLY.

PACKING INFORMATION

PACKING TRAY: 0200-9999-I1 (TOP)
0200-9999-I2 (BOTTOM)

PACKING QUANTITY: 49 PCS FINISHED GOODS PER TRAY
7 TRAYS (343 PCS FINISHED GOODS) PER CARTON BOX.

NOTE: CARDBOARD ARE PLACED BETWEEN LAYERS OF PACKING TRAY INSIDE CARTON BOX.
(INCLUDE THE UPPERMOST AND LOWEREST TRAY)

ORIGINATED BY
LI QUANKUN
DATE 2018-11-19
DRAWN BY
LV YONGDONG
DATE 2018-11-19

TITLE
1X2 g/gabit MagJack®
(4PPoE, 100W, Extended Temp.)
0826-1X2T-HS-F
PATENTED

PART NO. / DRAWING NO.
08261X2THS-F
FILE NAME
08261X2THS-F_PA.DWG

STANDARD DIM. TOL. IN INCH	[] METRIC DIM. AS REF.
.X	UNIT : INCH [mm]
.XX	SCALE : N/A
.XXX ±0.005	SIZE : A4

REV. : PA PAGE : 6

