

THE INFORMATION CONTAINED HEREIN IS CONSIDERED "PROPRIETARY" TO BEL FUSE INC. AND SHALL NOT BE COPIED, REPRODUCED OR DISCLOSED WITHOUT THE WRITTEN APPROVAL OF BEL FUSE INC.

LED 2 POLARITY		LED 1 POLARITY	
PIN 15	PIN 16	PIN 17	PIN 18
-	+	-	+
+	-	+	-
		ORANGE	GREEN
		ORANGE	GREEN

**ELECTRICAL CHARACTERISTICS @ 25°C**

**TURNS RATIO**

- TP1 1CT : 1CT ±2%
- TP2 1CT : 1CT ±2%
- TP3 1CT : 1CT ±2%
- TP4 1CT : 1CT ±2%

DCL @ 100kHz/100mVRMS

FOR CHANNEL 1, CHANNEL 2

8mA DC BIAS (0°C - 70°C) 350µH MIN.

19mA DC BIAS (0°C - 70°C) 120µH MIN.

FOR CHANNEL 3, CHANNEL 4

8mA DC BIAS (0°C - 70°C) 350µH MIN.

INS. LOSS

- 0.1MHz TO 1MHz -1.1 dB MAX
- 1MHz TO 65MHz -0.5 dB MAX
- 65MHz TO 100MHz -0.8 dB MAX
- 100MHz TO 125MHz -1.5 dB MAX

RET. LOSS (MIN) @ 100DHMS ±15%

- 0.5MHz-40MHz -18 dB
- 40MHz-100MHz -12+20LOG(f/80MHz) dB
- CM TO CM REJ 100kHz -100MHz -30 dB MIN
- CM TO DM REJ 100kHz -100MHz -35 dB MIN

HIPOUT (Isolation Voltage): 2250 VDC  
 100% OF PRODUCTION TESTED TO COMPLY WITH  
 IEEE 802.3 ISOLATION REQUIREMENTS.

NOTE: PORT-TO-PORT ISOLATION NOT INCLUDED.  
 BALANCED DC LINE CURRENT 600mA MAX. CONTINUOUS  
 1.2A MAX. FOR 200 MILLISECONDS  
 LEADS 1, 2 VF (FORWARD VOLTAGE) IF=20mA ORANGE 2.0V TYP,  
 GREEN 2.2V TYP,  
 λD (DOMINANT WAVELENGTH) IF=20mA ORANGE 605nm TYP,  
 GREEN 570nm TYP,  
 OPERATING TEMPERATURE: 0°C TO +70°C.

**ORIGINATED BY**  
CHOW WANCHUNG

**DATE**  
2020-02-28

**DRAWN BY**  
XIE YIMING

**DATE**  
2020-02-28

**TITLE**  
2X4 9lgabit MagJack®  
PoE+  
08B6-2B4J-GVH  
PATENTED

**PART NO. / DRAWING NO.**  
08B6-2B4JGVH

**FILE NAME**  
08B6-2B4JGVH\_C.DWG

**STANDARD DIM.**  
TOL. IN INCH  
.X  
.XX  
.XXX


[ ] METRIC DIM.  
AS REF.

**UNIT : INCH [mm]**

**SCALE : N/A**

**SIZE : A4**

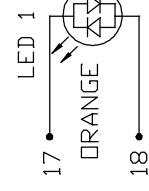
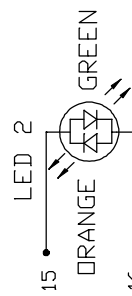
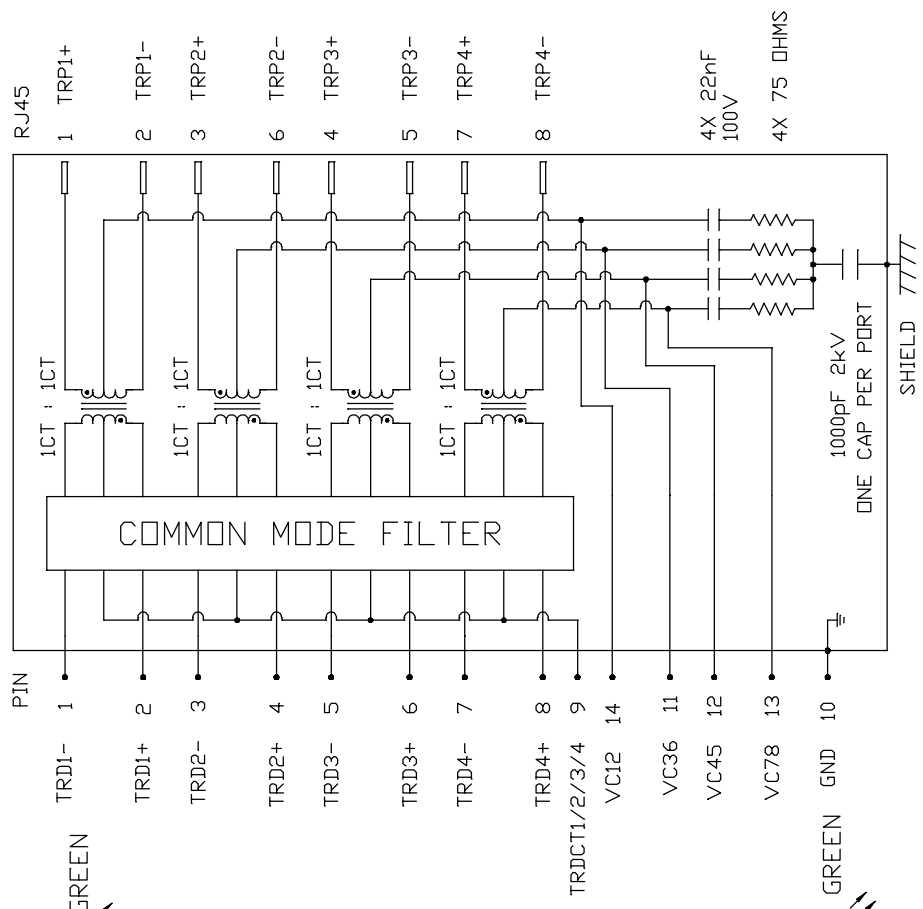
REV. : C PAGE : 2



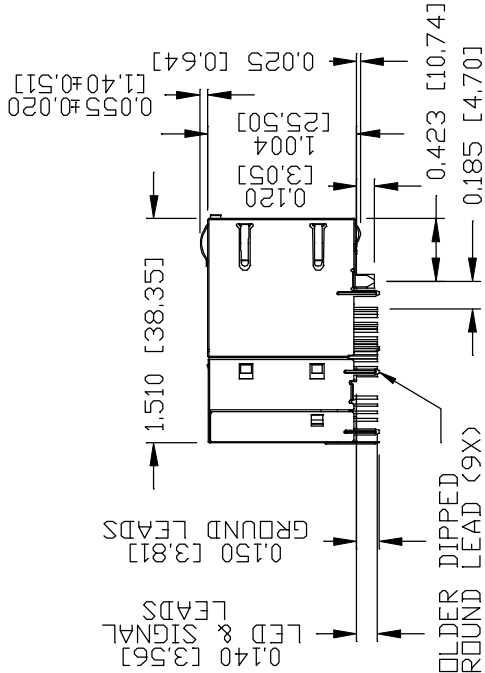
**MAGNETIC SOLUTIONS**  
a bel group



**SCHEMATIC**



THE INFORMATION CONTAINED HEREIN IS CONSIDERED "PROPRIETARY" TO BEL FUSE INC. AND SHALL NOT BE COPIED, REPRODUCED OR DISCLOSED WITHOUT THE WRITTEN APPROVAL OF BEL FUSE INC.

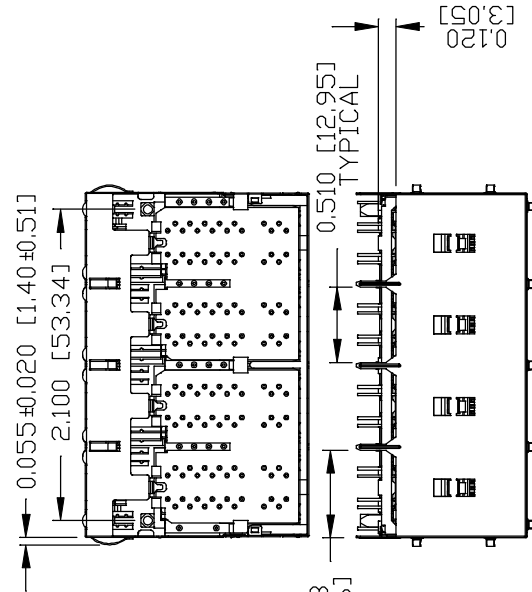
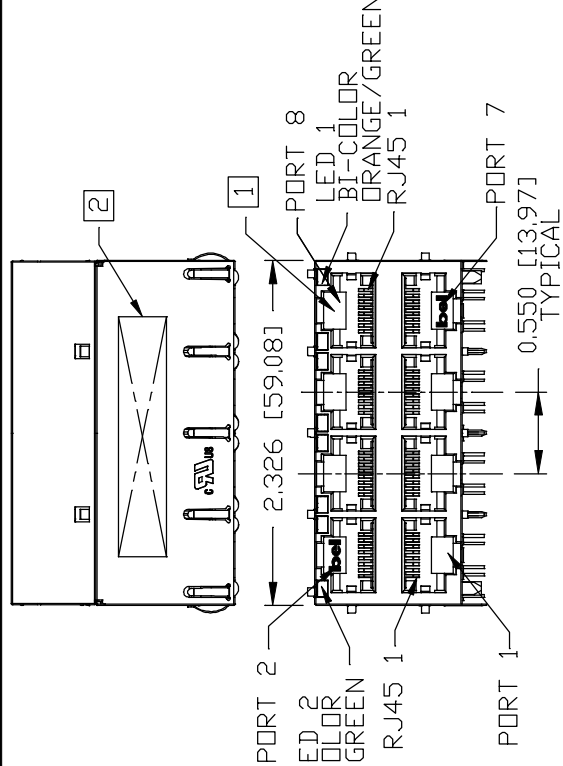


- NOTES:**
- JACK CAVITY CONFORMS TO FCC RULES AND REGULATIONS, PART 68 SUBPART F.
  - MARK PART WITH MFG LOGO, MFG NAME, PART NUMBER, DATE CODE AND PATENTED.
  - THE PRODUCT IS RoHS COMPLIANT.

**RoHS** COMPLIANT - FILE #E196366 AND E169987.

4. THE PRODUCT IS PATENTED, THE PATENT NUMBER ARE U.S. PAT.6,840,817 AND U.S. PAT 7,123,117.

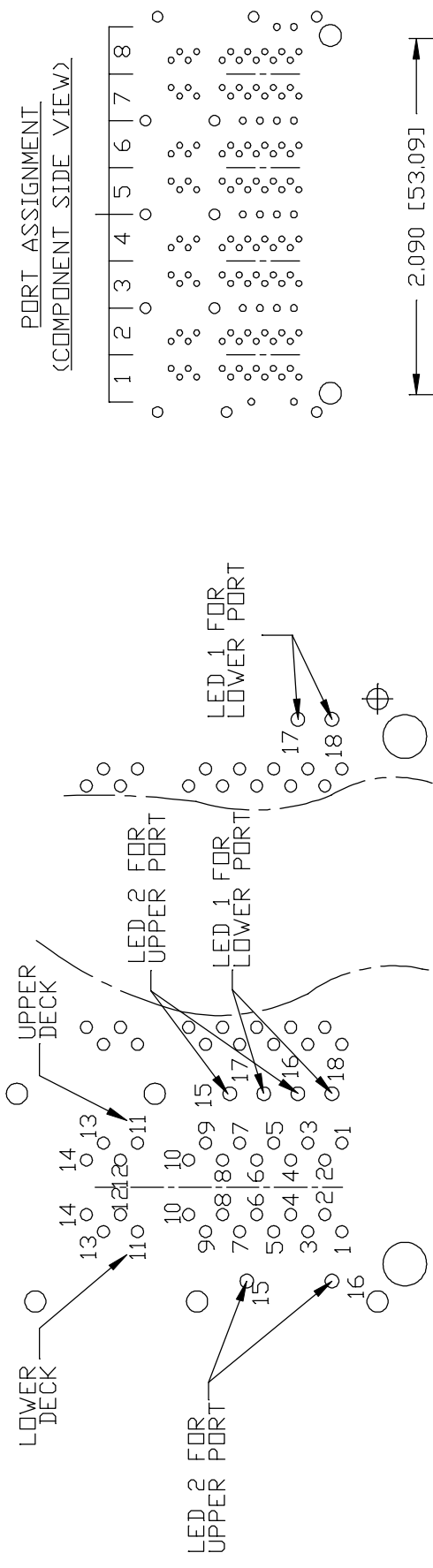
5. THE PART IS RECOMMENDED FOR WAVE SOLDERING, THE SUGGESTED PEAK WAVE SOLDERING CONDITION IS 260°C MAX AND 10 SECONDS MAX.



<b>ORIGINATED BY</b> SANDY LIN		<b>PART NO. / DRAWING NO.</b> 08B6-2B4JGVH		<b>STANDARD DIM.</b> TOL. IN INCH		<b>REV. :</b> C		<b>PAGE :</b> 3	
<b>DATE</b> 2020-02-28		<b>FILE NAME</b> 08B6-2B4JGVH_C.DWG		<b>UNIT : INCH [mm]</b>					
<b>DRAWN BY</b> RUAN WENJUN		<b>PATENTED</b>		<b>SCALE : N/A</b>					
<b>DATE</b> 2020-02-28				<b>SIZE : A4</b>					
<b>TITLE</b> 2x4 Gigabit MagJack® PoEp 08B6-2B4J-GVH PATENTED				 					

DC002(2)120214 This document is electronically generated. This is a controlled copy if used internally

THE INFORMATION CONTAINED HEREIN IS CONSIDERED "PROPRIETARY" TO BEL FUSE INC. AND SHALL NOT BE COPIED, REPRODUCED OR DISCLOSED WITHOUT THE WRITTEN APPROVAL OF BEL FUSE INC.



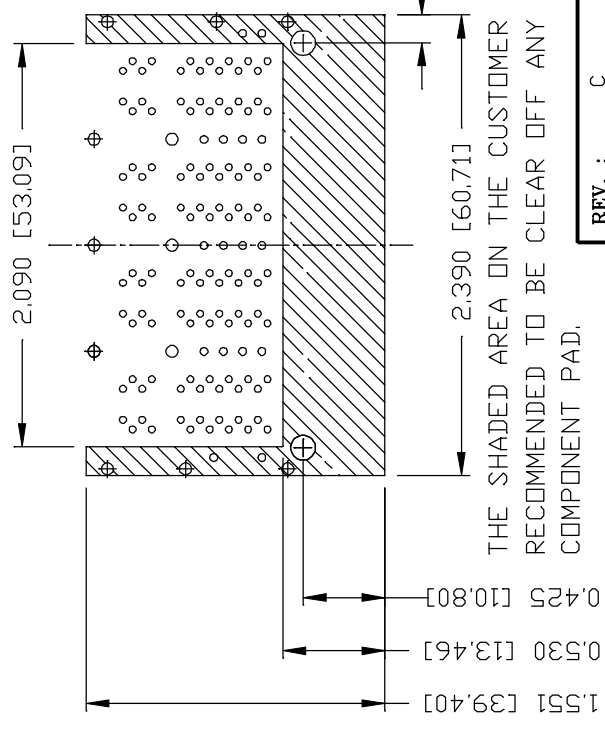
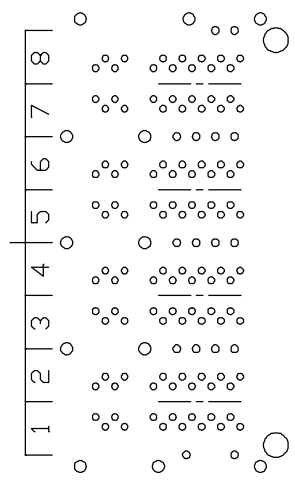
**NOTES:**

LED 1 (UPPER LED RIGHT) IS FOR LOWER PORT,  
LED 2 (UPPER LED LEFT) IS FOR UPPER PORT.

**PIN-OUT INFORMATION**  
(COMPONENT SIDE VIEW)

10	GND
9	TRDCT1/2/3/4
8	TRD 4+
7	TRD 4-
6	TRD 3+
5	TRD 3-
4	TRD 2+
3	TRD 2-
2	TRD 1+
1	TRD 1-
18	ORANGE (+)/GREEN (-)
17	ORANGE (-)/GREEN (+)
16	ORANGE (+)/GREEN (-)
15	ORANGE (-)/GREEN (+)
14	VC12
13	VC78
12	VC45
11	VC36

**PORT ASSIGNMENT**  
(COMPONENT SIDE VIEW)

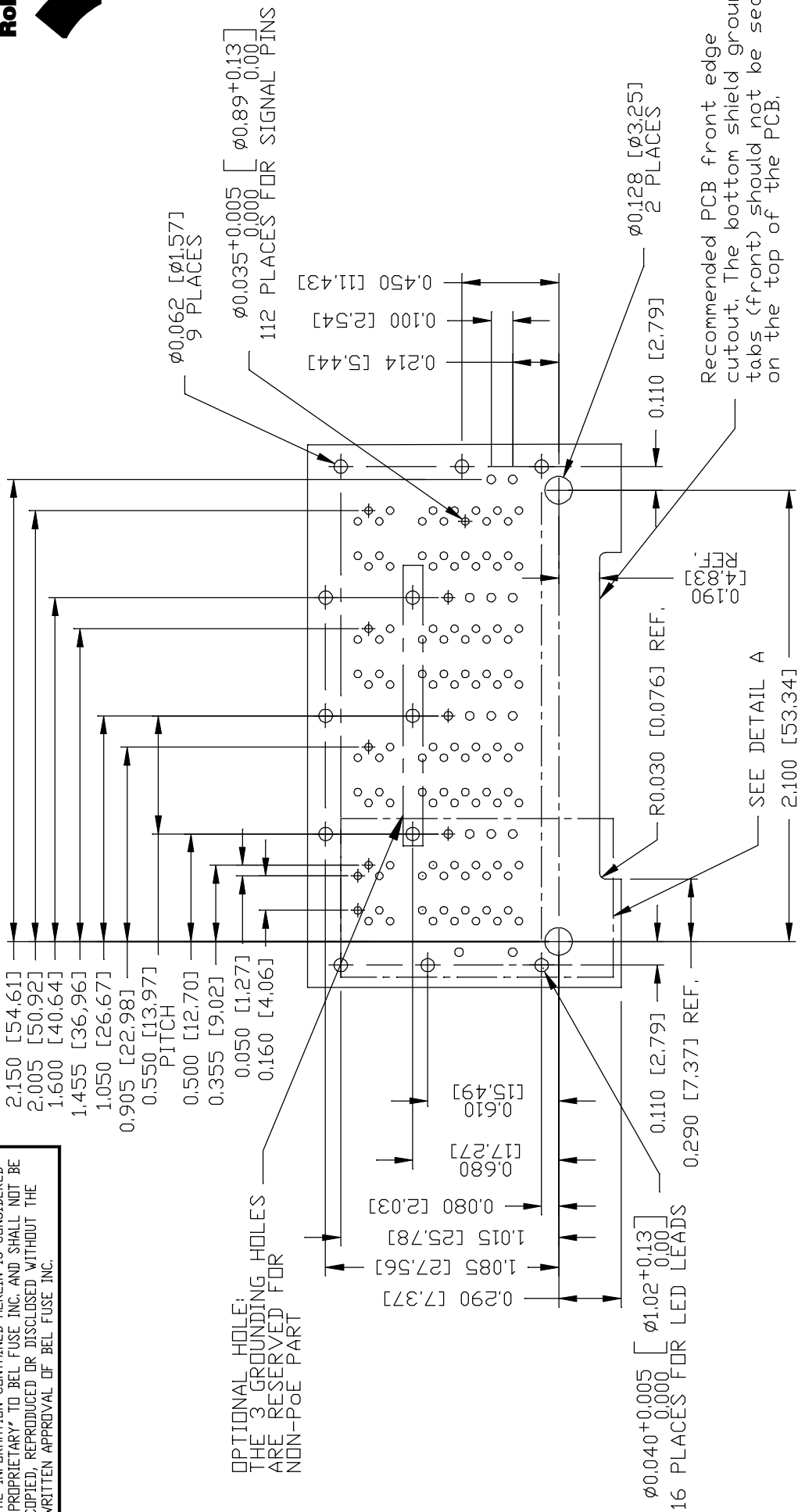


THE SHADED AREA ON THE CUSTOMER BOARD ARE RECOMMENDED TO BE CLEAR OFF ANY VIA HOLE OR COMPONENT PAD.

<b>ORIGINATED BY</b> SANDY LIN		<b>PART NO. / DRAWING NO.</b> 08B6-2B4JGVH		<b>STANDARD DIM.</b> TOL. IN INCH		<b>REV. :</b> C		<b>PAGE :</b> 4	
<b>DATE</b> 2020-02-28		<b>FILE NAME</b> 08B6-2B4JGVH_C.DWG		<b>.X</b>		<b>[ ] METRIC DIM.</b> AS REF.		<b>MAGNETIC SOLUTIONS</b> a bel group	
<b>DRAWN BY</b> RUAN WENJUN		<b>TITLE</b> 2X4 9lgabit MagJack® PoEp 08B6-2B4J-GVH PATENTED		<b>.XX</b>		<b>UNIT : INCH [mm]</b>			
<b>DATE</b> 2020-02-28				<b>.XXX</b>		<b>SCALE : N/A</b>			
				<b>±0.004</b>		<b>SIZE : A4</b>			

This document is electronically generated. This is a controlled copy if used internally

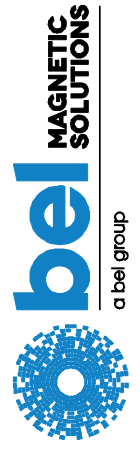
THE INFORMATION CONTAINED HEREIN IS CONSIDERED PROPRIETARY TO BEL FUSE INC. AND SHALL NOT BE COPIED, REPRODUCED OR DISCLOSED WITHOUT THE WRITTEN APPROVAL OF BEL FUSE INC.



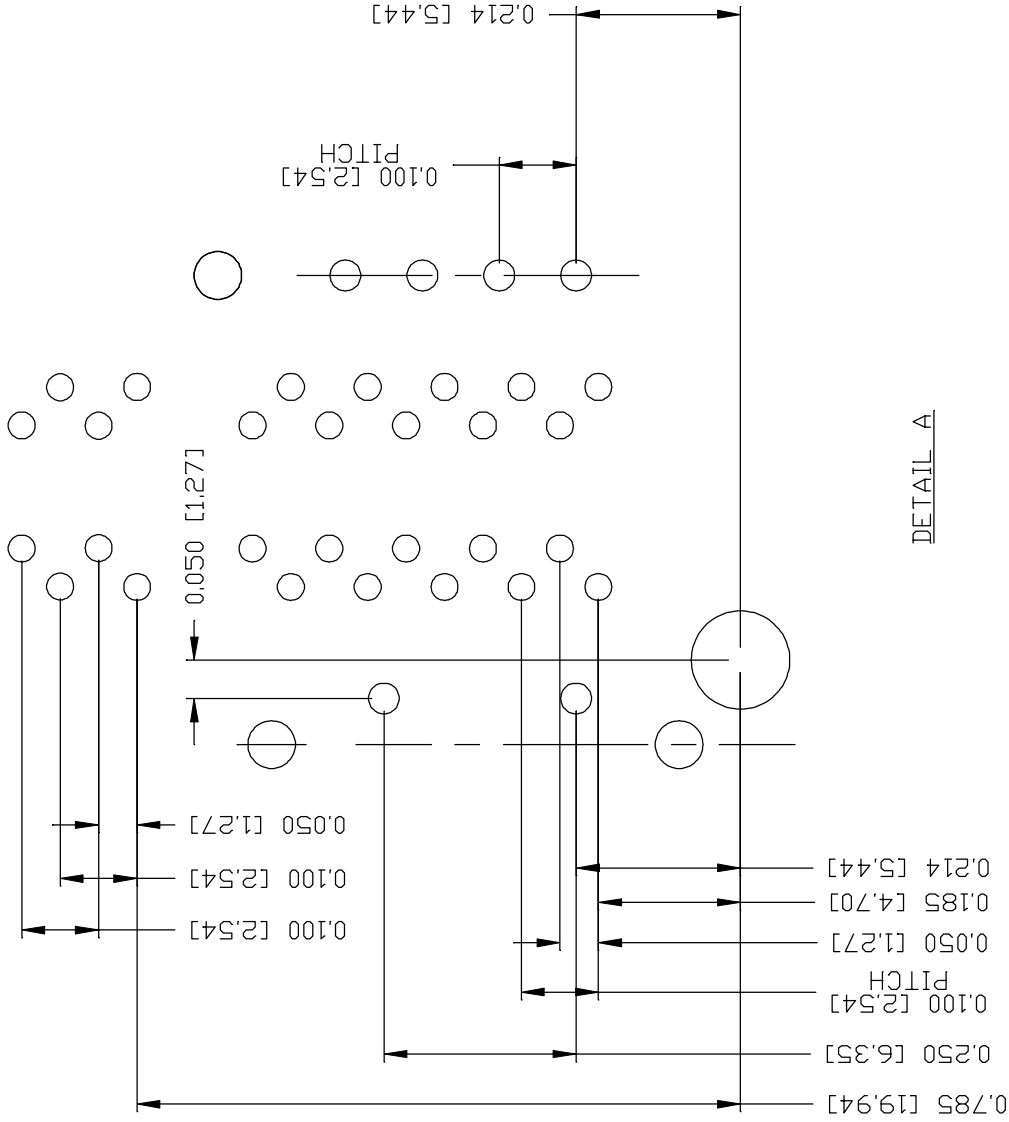
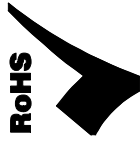
SUGGESTED FOOTPRINT  
(COMPONENT SIDE VIEW)

REV. : C		PAGE : 5	
ORIGINATED BY SANDY LIN	DATE 2020-02-28	TITLE 2X4 gigabit MagJack® PoE 08B6-2B4J-GVH PATENTED	PART NO. / DRAWING NO. 08B6-2B4JGVH
DRAWN BY RUAN WENJUN	DATE 2020-02-28	STANDARD DIM. TOL. IN INCH .X .XX .XXX	[ ] METRIC DIM. AS REF.
UNIT : INCH [mm]		SCALE : N/A	SIZE : A4
±0.004			

This document is electronically generated. This is a controlled copy if used internally



THE INFORMATION CONTAINED HEREIN IS CONSIDERED "PROPRIETARY" TO BEL FUSE INC. AND SHALL NOT BE COPIED, REPRODUCED OR DISCLOSED WITHOUT THE WRITTEN APPROVAL OF BEL FUSE INC.



DETAIL A

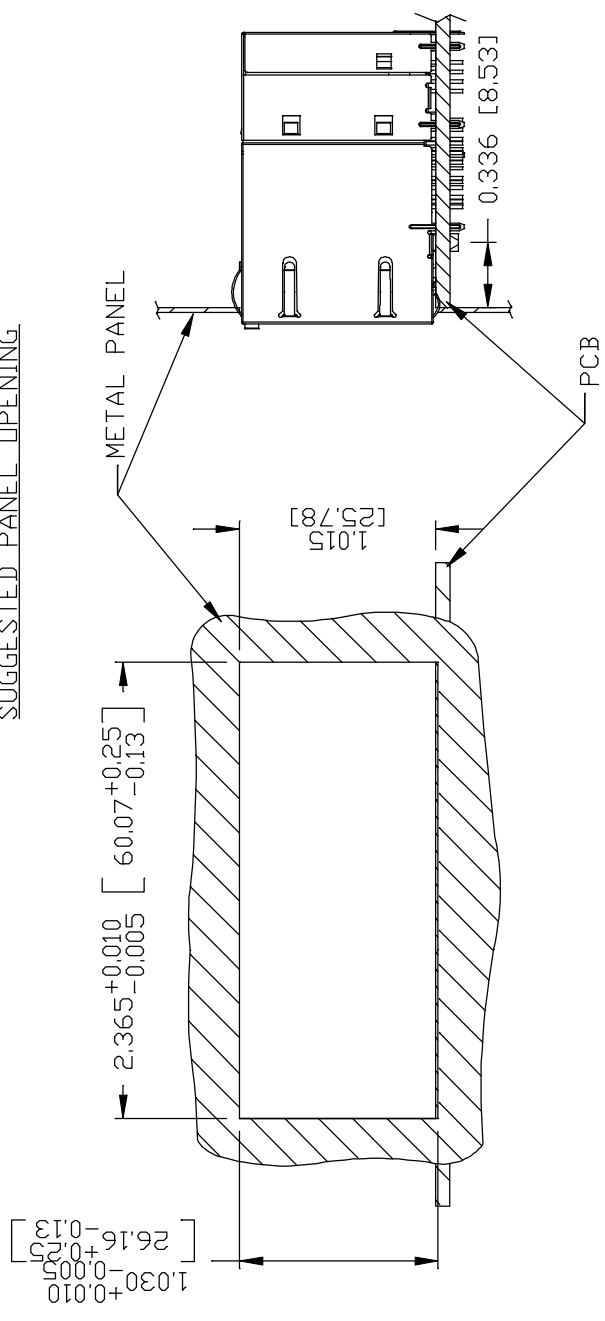
<b>ORIGINATED BY</b> SANDY LIN <b>DATE</b> 2020-02-28		<b>TITLE</b> 2X4 gigabit MagJack® PoEP 08B6-2B4J-GVH PATENTED		<b>PART NO. / DRAWING NO.</b> 08B6-2B4JGVH		<b>STANDARD DIM.</b> TOL. IN INCH .X .XX .XXX		[ ] METRIC DIM. AS REF. UNIT : INCH [mm] SCALE : N/A SIZE : A4		<b>REV. :</b> C	<b>PAGE :</b> 6
<b>DRAWN BY</b> RUAN WENJUN <b>DATE</b> 2020-02-28		<b>FILE NAME</b> 08B6-2B4JGVH_C.DWG		#0.004		#0.004		 <b>MAGNETIC SOLUTIONS</b> a bel group		 <b>MAGNETIC SOLUTIONS</b> a bel group	

This document is electronically generated. This is a controlled copy if used internally

THE INFORMATION CONTAINED HEREIN IS CONSIDERED "PROPRIETARY" TO BEL FUSE, INC. AND SHALL NOT BE COPIED, REPRODUCED OR DISCLOSED WITHOUT THE WRITTEN APPROVAL OF BEL FUSE, INC.



SUGGESTED PANEL OPENING



NOTE:

THE DISTANCE OF PANEL INSIDE SURFACE RELATIVE TO FRONT SURFACE OF PART IS ONLY A SUGGESTION. IN CASE THIS DISTANCE IS DIFFERENT, THE REQUIRED PANEL OPENING DIMENSIONS CHANGE ACCORDINGLY.

PACKING INFORMATION

- PACKING TRAY : 0200-9999-G2 (TOP)  
0200-9999-G3 (BOTTOM)
- PACKING QUANTITY : 20 PCS FINISHED GOODS PER TRAY  
5 TRAYS (100 PCS FINISHED GOODS) PER CARTON BOX
- NOTE : CARDBOARDS ARE PLACED BETWEEN LAYERS OF PACKING TRAY INSIDE CARTON BOX (INCLUDE THE UPPERMOST AND LOWERMOST TRAY)

REV. : C		PAGE : 7	
STANDARD DIM. [ ] METRIC DIM. AS REF.		UNIT : INCH [mm]	
TOL. IN INCH		SCALE : N/A	
.X			
.XX			
.XXX	±0.005		SIZE : A4
PART NO. / DRAWING NO. 08B6-2B4JGVH		FILE NAME 08B6-2B4JGVH_C.DWG	
TITLE 2X4 gigabit MagJack® PoEp 08B6-2B4J-GVH PATENTED		This document is electronically generated. This is a controlled copy if used internally	
ORIGINATED BY SANDY LIN	DATE 2020-02-28	DRAWN BY RUAN WENJUN	
DATE 2020-02-28		DATE 2020-02-28	

