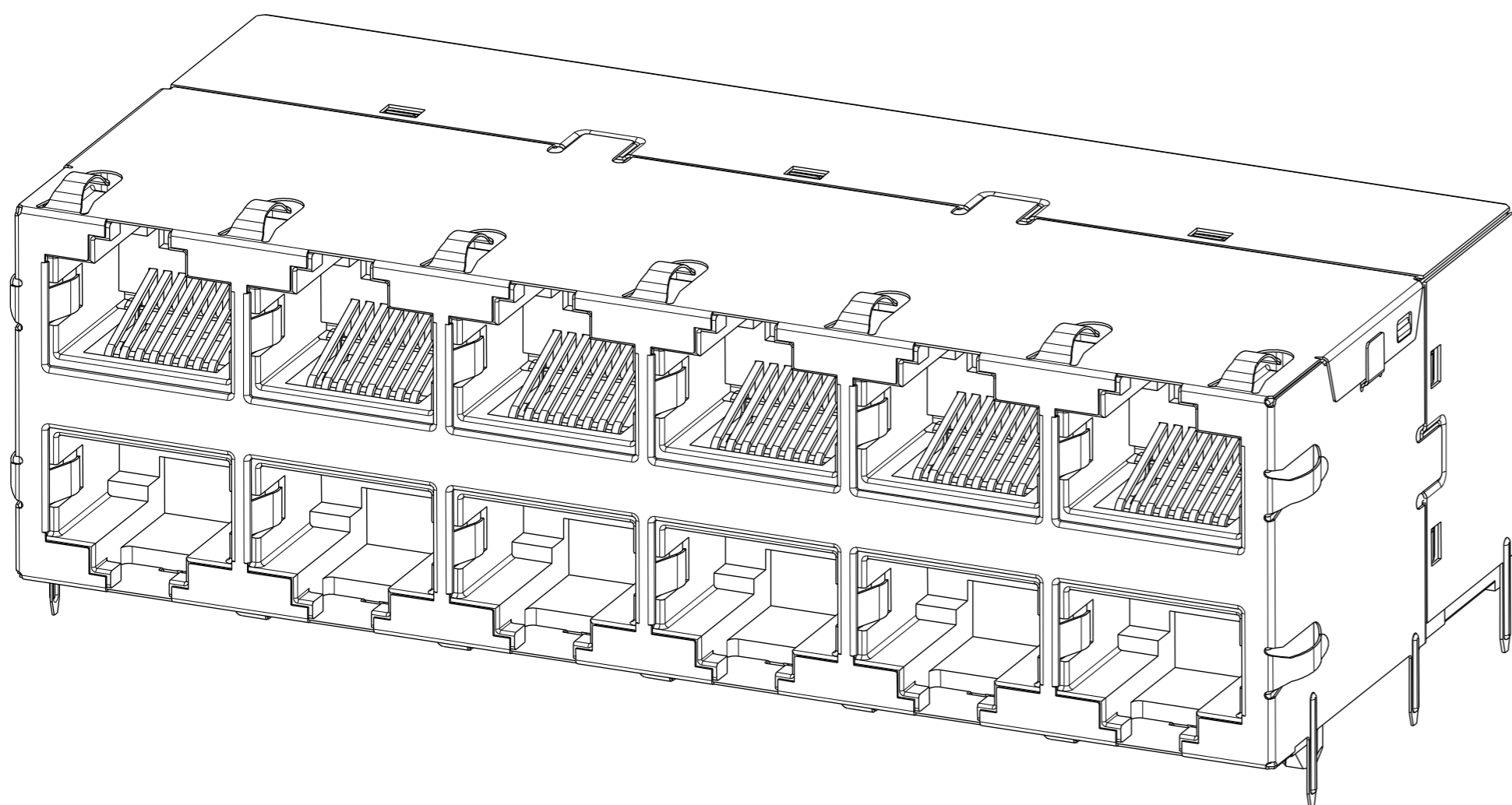


THIS DRAWING AND THE SUBJECT MATTER SHOWN THEREON ARE CONFIDENTIAL AND THE PROPERTY OF BEL/STEWART/TRP CONNECTOR AND SHALL NOT BE REPRODUCED, COPIED, OR USED IN ANY MANNER WITHOUT THE WRITTEN CONSENT OF TRP CONNECTOR.

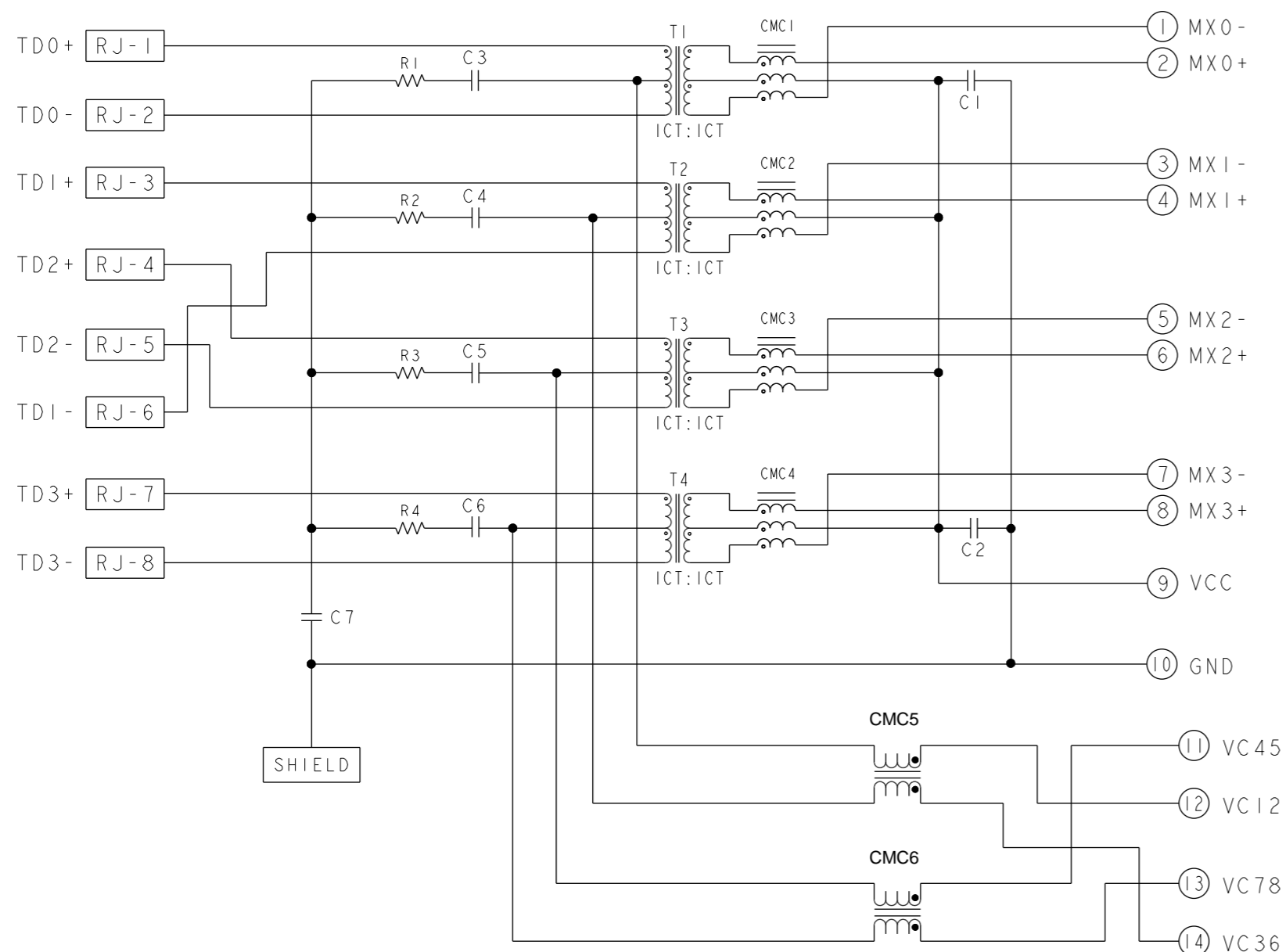
PRODUCT MAY BE PROTECTED BY ONE OR MORE OF THE FOLLOWING US PATENTS:
 5736910 5939955 6425781 6428361 6554638 6840817 7123117
 7429195 7717749 7808751 6217391 6149050 7924130

REVISIONS				
P	LYR	DESCRIPTION	DATE	APPV
4		SEE FINAL SHEET	31AUG2020	RL TY



S9UQG01ET 2.5G 4PPOE CIRCUIT

TOP AND BOTTOM PORTS

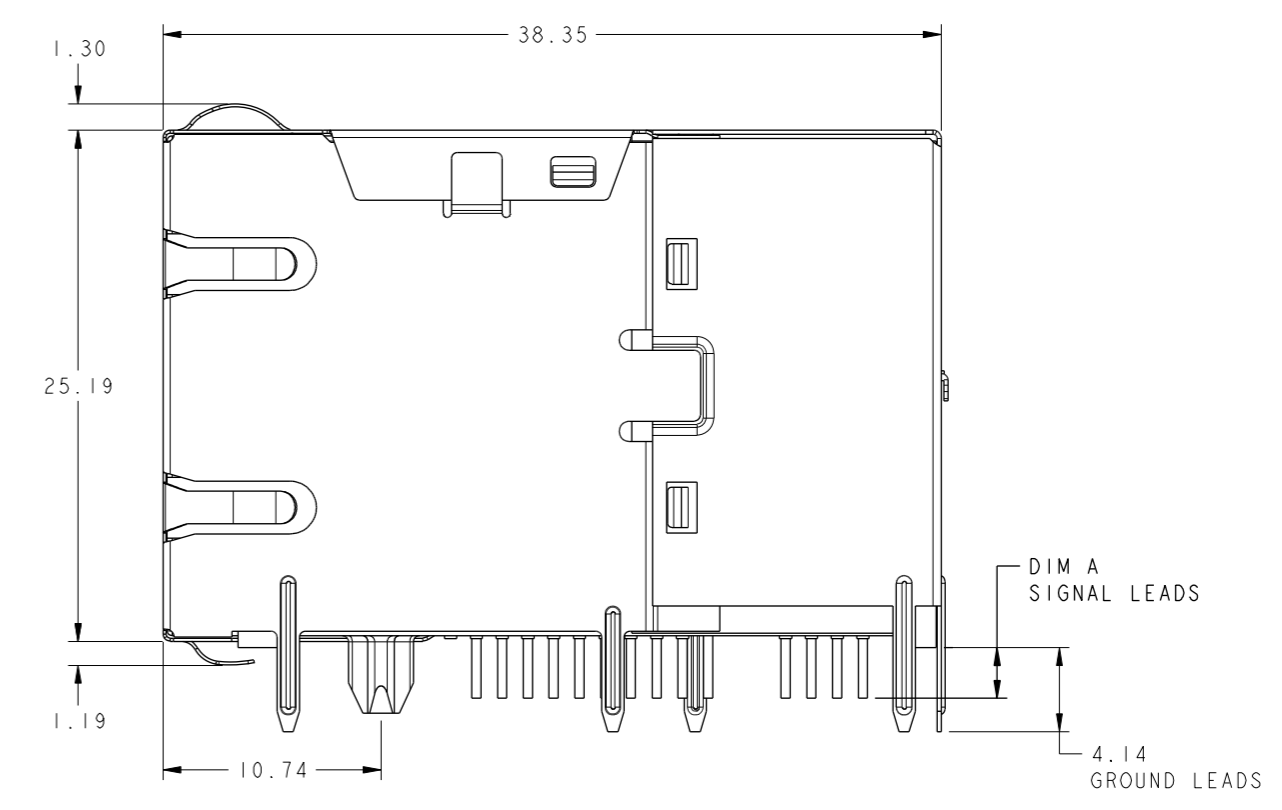
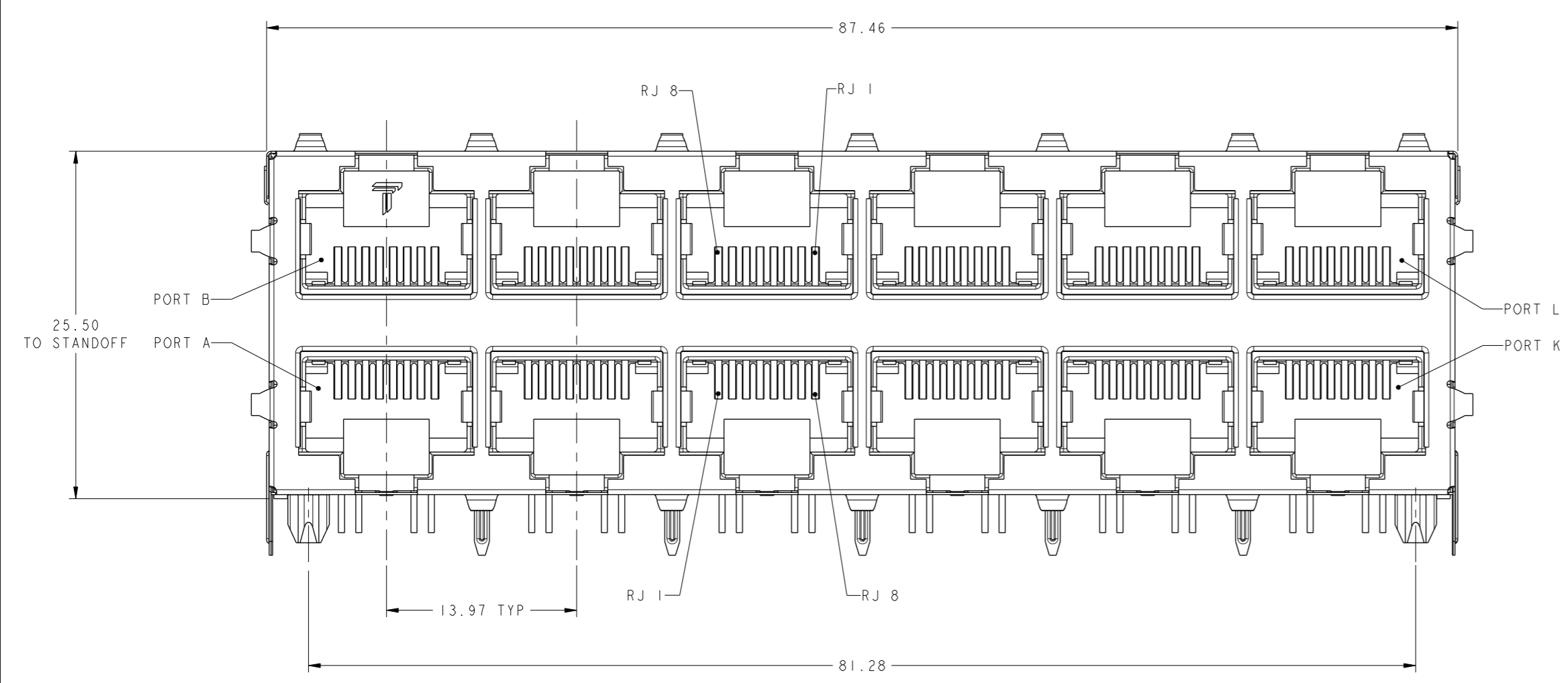
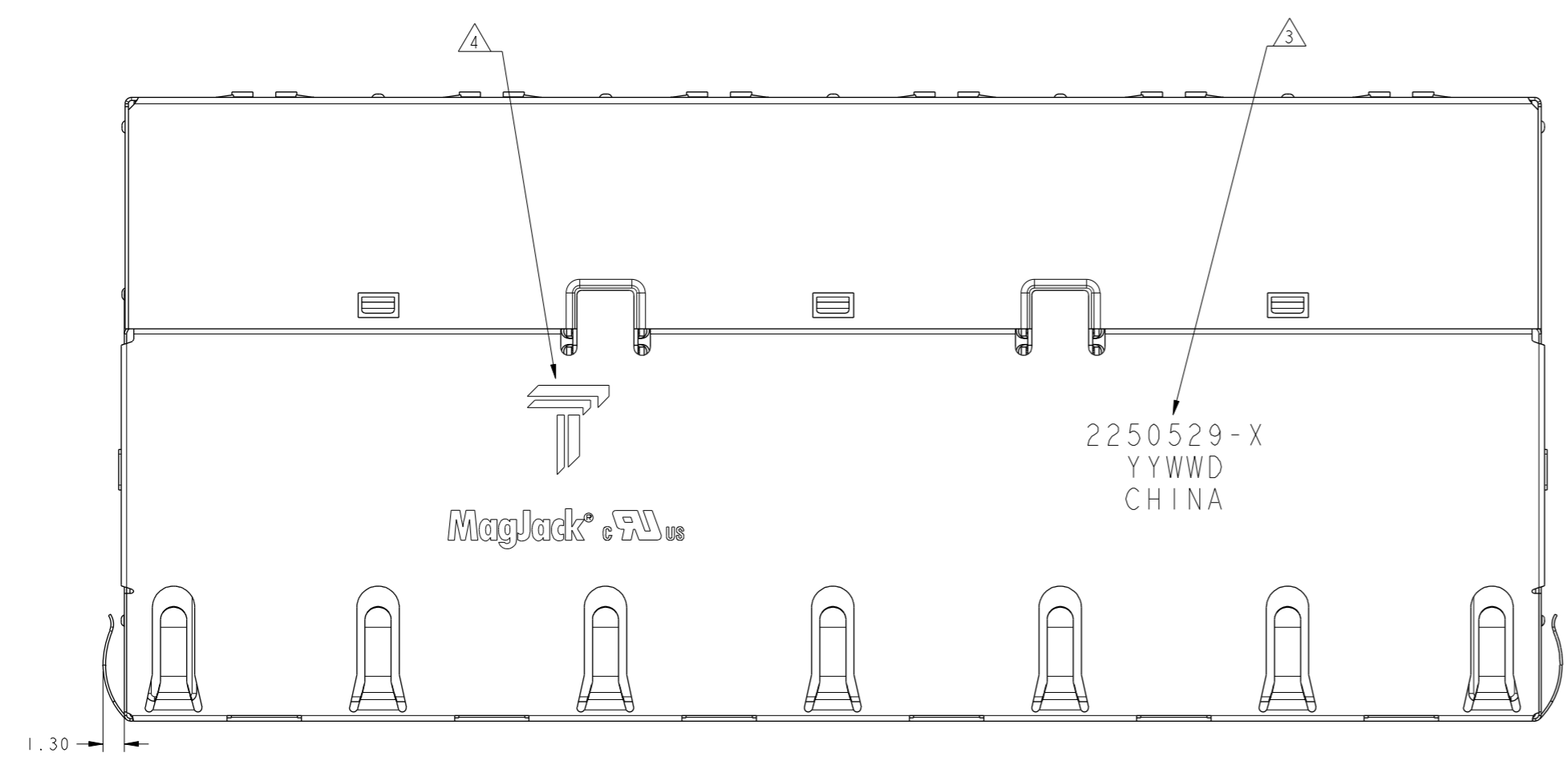


C1-C2 = 10nF, 50V, X7R, CAPACITORS
 C3-C6 = 22nF, 100V, CAPACITORS
 C7 = 1000pF, 2kV, CAPACITOR
 R1-R4 = 75 Ohms, 1/16W, RESISTORS

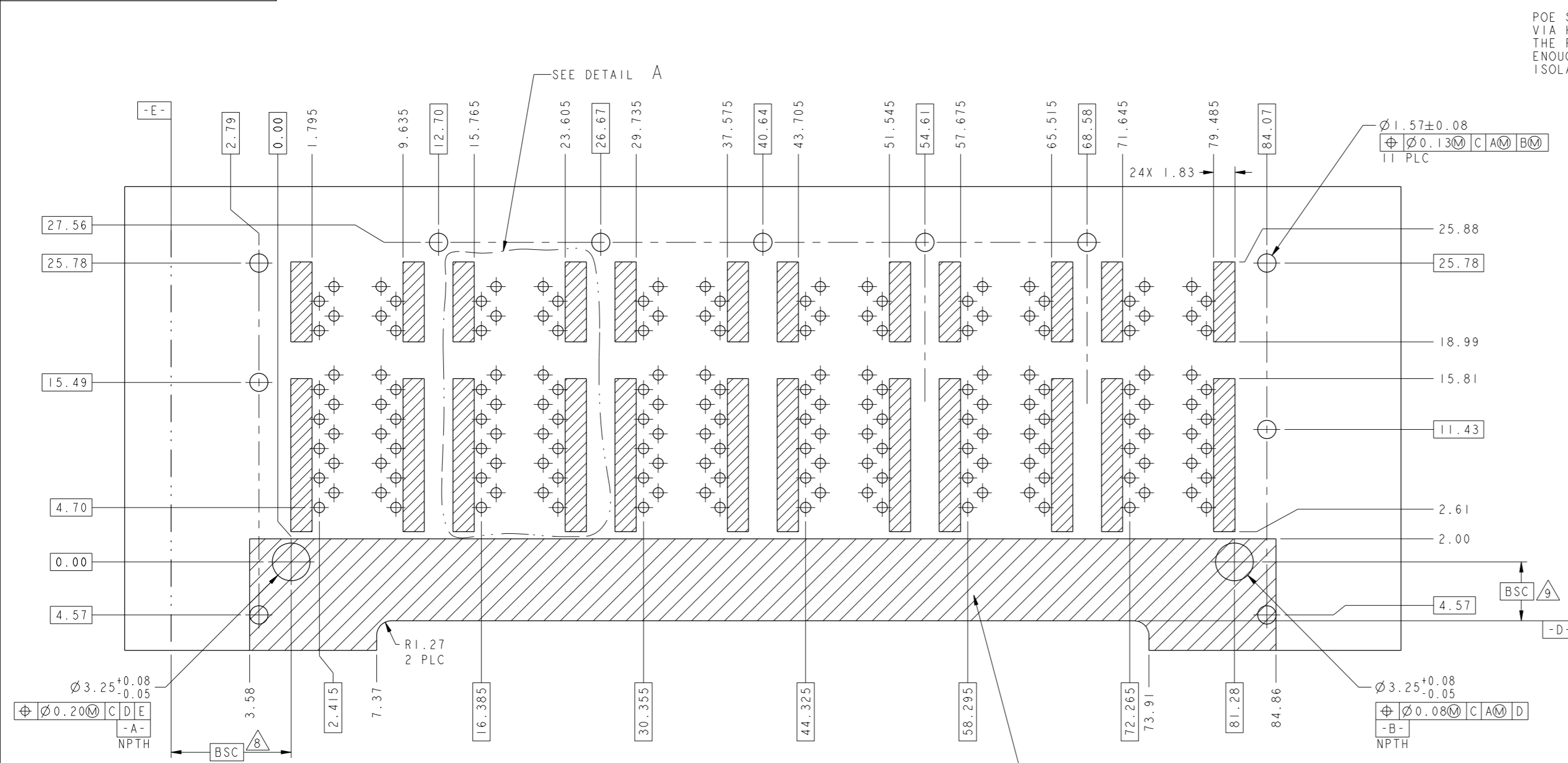
1. MATERIALS:
 PLASTIC HOUSING: BLACK, THERMOPLASTIC FLAMMABILITY RATING UL 94V-0
 SHIELD: BRASS, PREPLATED WITH 0.76um MIN SEMI-BRIGHT NICKEL,
 POST DIPPED WITH 2.54um MIN SAC SOLDER OR PURE TIN SOLDER DIP
 ON SOLDER TAILS,
 CONTACTS: PHOSPHOR BRONZE, 1.27um MIN OVERALL NICKEL
 UNDERPLATE WITH SELECT 1.27um MIN GOLD AT MATING INTERFACE AND
 2.54um MIN MATTE TIN ON SOLDER TAILS.
2. MAGNETICS
 APPLICATION: 2.5G BASE-T, 4PPOE
 IMPEDANCE: 100 OHMS
 TURNS RATIO (CHIP:CABLE): 1:1 ALL FOUR PAIRS
 OPEN CIRCUIT INDUCTANCE (OCL):
 ALL CHANNELS 180uH MIN @ 100KHz, 0.1 VRMS WITH 8mA DC BIAS FROM -40°C TO 85°C,
 120uH MIN @ 100KHz, 0.1 VRMS WITH 23mA DC BIAS FROM -40°C TO 85°C
 ALL FOUR PAIRS BI-DIRECTIONAL
 POE CURRENT: 1A DC MAX
 PERFORMANCE @ 25°C:
 INSERTION LOSS (IL): 0.004*(f) + 0.4 MAX FROM 1MHz TO 150MHz
 RETURN LOSS (RL): 20dB MIN FROM 1MHz TO 40MHz
 20 - 15LOG10(f/40)dB MIN FROM 40MHz TO 150MHz
 CROSSTALK ATTENUATION: 35dB MIN FROM 1MHz TO 40MHz
 35 - 15LOG10(f/40)dB MIN FROM 40MHz TO 150MHz
 COMMON MODE REJECTION: 25dB MIN FROM 1MHz TO 150MHz
 ISOLATION VOLTAGE: 2250VDC(MAX) FOR 60 SECONDS WITH A RISE TIME OF
 500V/SEC AND WITH ALL PORTS CONNECTED.
3. PART NUMBER, DATE CODE AND COUNTRY OF ORIGIN ARE
 LOCATED IN APPROXIMATE AREA SHOWN.
 DATE CODE: YYWW WHERE "YY" IS YEAR, "WW" IS WORK WEEK, "D" IS DAY
 OF WEEK, WITH SUNDAY = 1
4. TRP CONNECTOR LOGO AND AGENCY APPROVAL LOGO ARE
 LOCATED IN APPROXIMATE AREA SHOWN.
5. OPERATING TEMP: FROM -40°C TO 85°C.
6. RJ45 CAVITY CONFORMS TO FCC RULES AND REGULATION PART 68 SUBPART F.
7. INDICATED MAGNETIC CONNECTIONS ARE SYMMETRICAL AND
 SUPPORT AUTO-MDI/MDIX.
8. DATUM AND BASIC DIMENSION ESTABLISHED BY CUSTOMER.
9. BASIC DIMENSION ESTABLISHED BY CUSTOMER, BUT MAY NOT BE
 GREATER THAN 5.08mm.
10. THE PARTS ARE RECOMMENDED FOR WAVE SOLDERING PROCESS,
 PEAK TEMPERATURE 260°C MAX, 10 SECONDS MAX.

2.50	2250529-1
DIM A	PART NUMBER

THIS DRAWING IS A CONTROLLED DOCUMENT, AND COMPLIANT TO ASME Y14.5M		DRN: RICK LI 02AUG2017	TRP CONNECTOR DONGGUAN CHINA a bel group
DIMENSIONS: mm		CHK: TOMMY REN/BILL LIU 02AUG2017	
TOLERANCES UNLESS OTHERWISE SPECIFIED:		APPV: TONY YUAN 02AUG2017	
0 PLC ±0.25 1 PLC ±0.25 2 PLC ±0.25 3 PLC ± 4 PLC ± ANGLES ± APPLICATION SPEC		MODEL NAME: MAGJACK STACK 4PPOE DESC: 2X6 S9UQG01ET 2.5G 4PPOE 100W CIRCUIT, W/O LED SIZE: A1 CAGE CODE: C=2250529 DRAWING NO: 108-104017 APPLICATION SPEC: - SCALE: NTS SHEET: 1 OF 5 REV: 4	

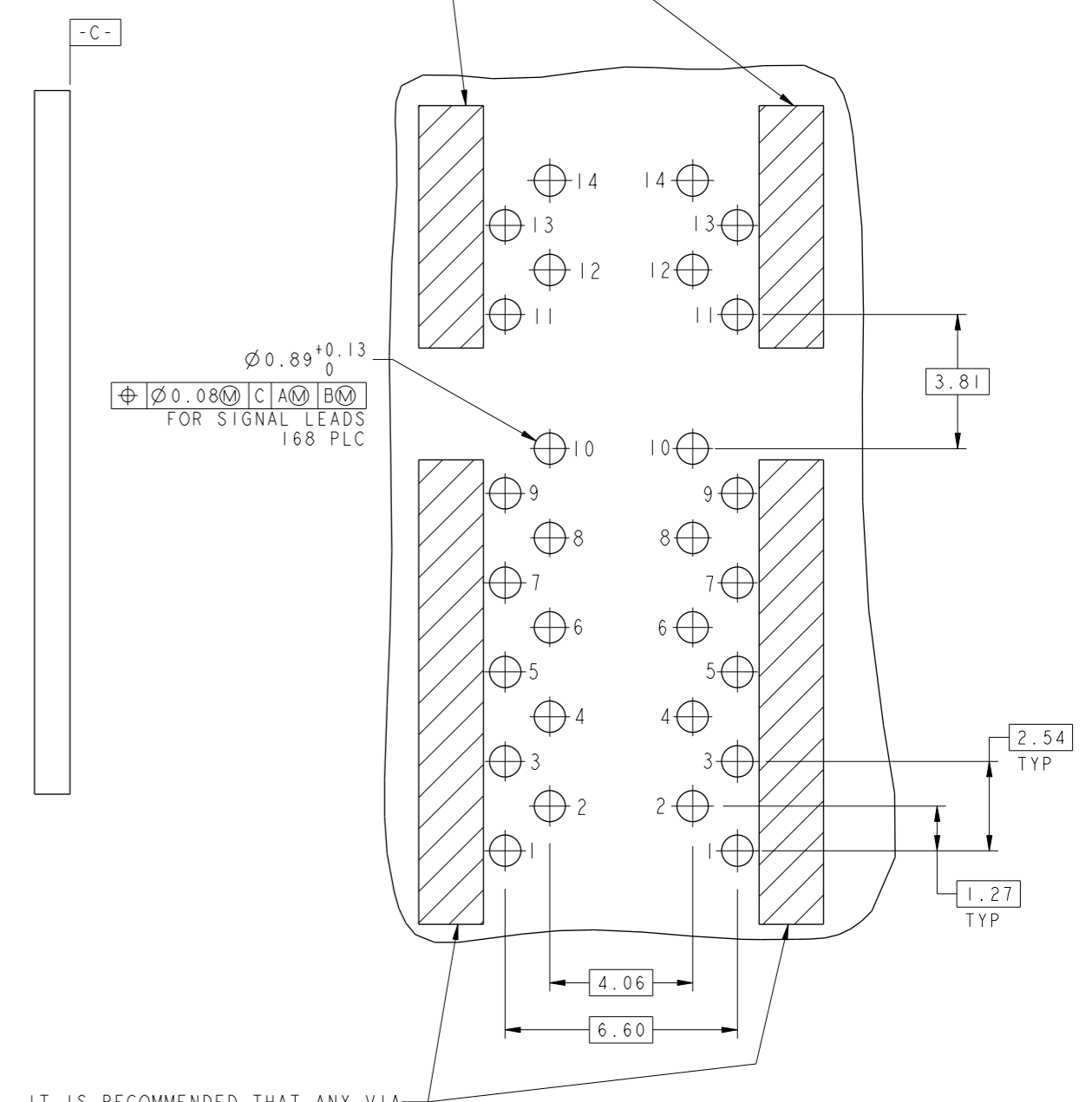


THIS DRAWING IS A CONTROLLED DOCUMENT. AND COMPLIANT TO ASME Y14.5M		DWN: RICK LI 02AUG2017 CHK: TOMMY REN/BILL LIU 02AUG2017 APPR: TONY YUAN 02AUG2017	trp CONNECTOR a bel group DONGGUAN CHINA
DIMENSIONS: mm	TOLERANCES UNLESS OTHERWISE SPECIFIED: 0 PLC ±0.25 1 PLC ±0.25 2 PLC ±0.25 3 PLC ± 4 PLC ± ANGLES ± APPLICATION SPEC	MODEL NAME: MAGJACK STACK 4PPOE DESC: 2X6 S9U0G01ET 2.5G 4PPOE 100W CIRCUIT, W/O LED	
PRODUCT SPEC: 108-104017		SIZE: A1 CAGE CODE: C=2250529 SCALE: NTS SHEET: 2 OF 5 REV: 4	RESTRICTED TO:



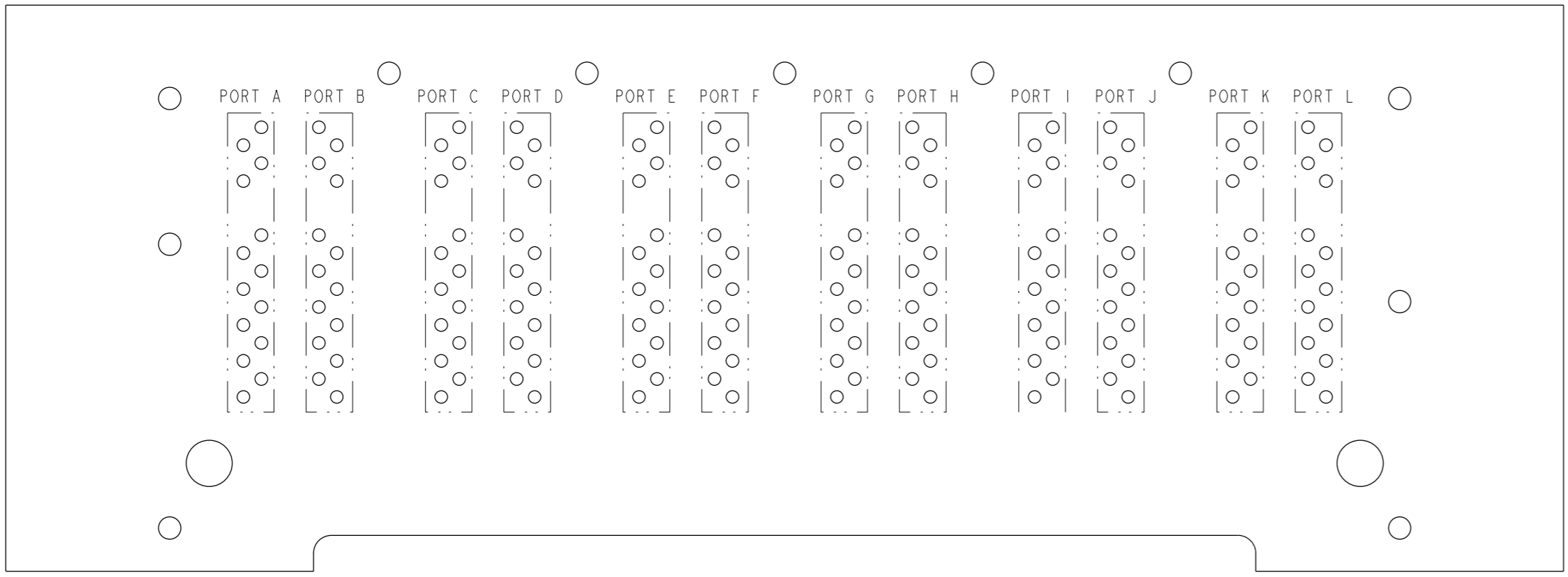
**RECOMMENDED PCB LAYOUT
COMPONENT SIDE VIEW**

POE STUB PINS AREA, IT IS RECOMMENDED THAT ANY VIA HOLES, TRACES WHICH HAVE EQUAL POTENTIAL AS THE PHY SIDE SIGNALS OR GROUND SHOULD HAVE ENOUGH CLEARANCE FROM THE SHADED AREA FOR ISOLATION VOLTAGE.



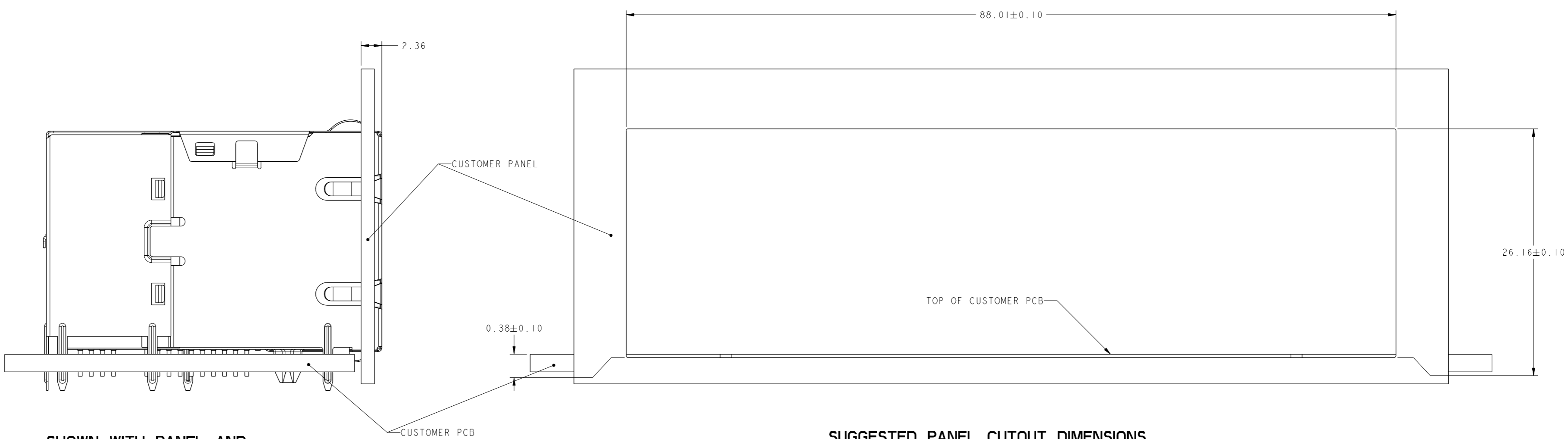
**DETAIL A
SCALE 8:1**

PHY SIDE STUB PINS AREA, IT IS RECOMMENDED THAT ANY VIA HOLES, TRACES WHICH HAVE EQUAL POTENTIAL AS THE CABLE SIDE SIGNAL OR POE SIGNAL SHOULD HAVE ENOUGH CLEARANCE FROM THE SHADED AREA FOR ISOLATION VOLTAGE.




**PORT ASSIGNMENT
COMPONENT SIDE VIEW**

THIS DRAWING IS A CONTROLLED DOCUMENT. AND COMPLIANT TO ASME Y14.5M		DNW: RICK LI 02AUG2017	 DONGGUAN CHINA
DIMENSIONS: mm		CHK: TOMMY REN/BILL LIU 02AUG2017	
TOLERANCES UNLESS OTHERWISE SPECIFIED:		APPV: TONY YUAN 02AUG2017	
0 PLC ±0.25 1 PLC ±0.25 2 PLC ±0.25 3 PLC ± 4 PLC ± ANGLES ± APPLICATION SPEC		MODEL NAME: MAGJACK STACK 4PPOE DESC: 2X6 S9U0G01ET 2.5G 4PPOE 100W CIRCUIT, W/O LED SIZE: A1 CAGE CODE: 2250529 DRAWING NO: C=2250529	
PRODUCT SPEC: 108-104017	APPLICATION SPEC: -	CUSTOMER DRAWING	RESTRICTED TO: SCALE: NTS SHEET 3 OF 5 REV 4




SHOWN WITH PANEL AND CUSTOMER PCB ASSEMBLY

SUGGESTED PANEL CUTOUT DIMENSIONS

THIS DRAWING IS A CONTROLLED DOCUMENT. AND COMPLIANT TO ASME Y14.5M		DWN: RICK LI 02AUG2017		 trp CONNECTOR a bel group DONGGUAN CHINA
DIMENSIONS: mm		CHK: TOMMY REN/BILL LIU 02AUG2017		
TOLERANCES UNLESS OTHERWISE SPECIFIED:		APPV: TONY YUAN 02AUG2017		DESC: 2X6 S9U0G01ET 2.5G 4PPOE 100W CIRCUIT, W/O LED
0 PLC ±0.25	1 PLC ±0.25	MODEL NAME: MAGJACK STACK 4PPOE		SIZE: A1
2 PLC ±0.25	3 PLC ±	APPLICATION SPEC: -		SCALE: NTS
4 PLC ±	ANGLES ±	PRODUCT SPEC: 108-104017		DRAWING NO: C=2250529
		CUSTOMER DRAWING		SHEET 4 OF 5 REV 4

2250529					STOCK DISPOSITION			
2X6 S9UQG01ET 2.5G 4PPOE CIRCUIT, W/O LED					A: CONTINUE AS IS	D: USE OLD FIRST		
REVISION HISTORY					B: REWORK	E: PARTS TO CONFORM		
					C: SCRAP	F: OTHER		
DATE	REV	CHANGES	REASON	APPROVAL	INVENTORY (A,B,C,D,E,F)	WORK IN PROCESS (A,B,C,F)	SUPPLIER ORDERS (A,E,F)	OPEN CUST ORDERS (A,E,F)
02AUG2017	1	-	INITIAL RELEASE	TY	-	-	-	-
01DEC2017	2	REMOVED BOTTOM LEDS AND ADDED POWER LINE CHOKES. CHANGED THE LED COLOER TO GREEN/AMBER. CHANGED THE SIGNAL/LED PIN LENGTH TO 2.50MM CHANGED THE OPERATING TEMP TO -40-85°C	CUSTOMER REQUEST	TY	-	-	-	-
07DEC2017	3	SHEET 1 NOTE 2: ADDED PERFORMANCE DATA.	CUSTOMER REQUEST	TY	-	-	-	-
31AUG2020	4	REMOVED TOP LEDS, ADDED KEEP OUT ZONE FOR STUB PINS	CUSTOMER REQUEST	TY	-	-	-	-

THIS DRAWING IS A CONTROLLED DOCUMENT. AND COMPLIANT TO ASME Y14.5M		DNW: RICK LI 02AUG2017	 trp CONNECTOR a bel group DONGGUAN CHINA
DIMENSIONS: mm		CHK: TOMMY REN/BILL LIU 02AUG2017	
TOLERANCES UNLESS OTHERWISE SPECIFIED:		APPV: TONY YUAN 02AUG2017	
0 PLC ±0.25 1 PLC ±0.25 2 PLC ±0.25 3 PLC ± 4 PLC ± ANGLES ± APPLICATION SPEC -	MODEL NAME MAGJACK STACK 4PPOE	DESC 2X6 S9UQG01ET 2.5G 4PPOE 100W CIRCUIT, W/O LED	SIZE: A1 CAGE CODE: C=2250529 DRAWING NO:
PRODUCT SPEC: 108-104017	APPLICATION SPEC: -	CUSTOMER DRAWING	RESTRICTED TO: SCALE: NTS SHEET: 5 OF 5 REV: 4