

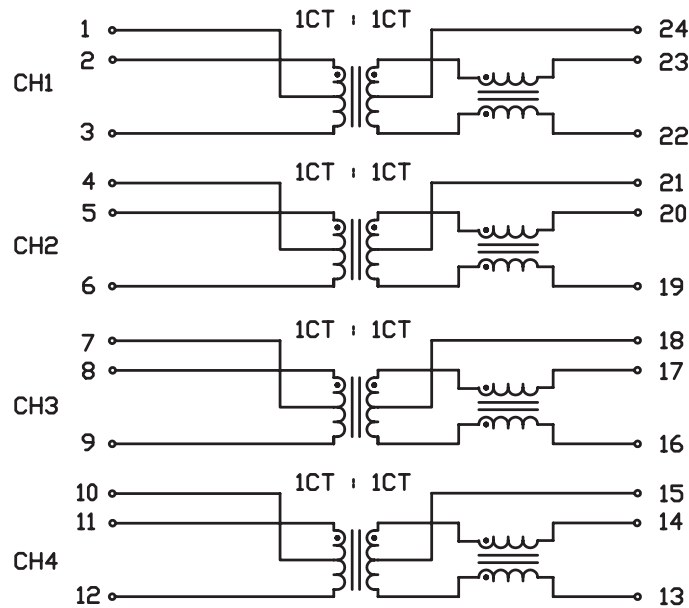
# 10GBASE-T ETHERNET MAGNETICS

## S558-10GB-02 Single Port Transformer Module



### ELECTRICAL SPECIFICATION @25°C

#### SCHEMATIC



#### TURNS RATIO

(2-3) : (23-22)  
 (5-6) : (20-19)  
 (8-9) : (17-16)  
 (11-12) : (14-13)

1CT : 1CT  
 1CT : 1CT  
 1CT : 1CT  
 1CT : 1CT

#### POLARITY

2°&23°, 5°&20°  
 8°&17°, 11°&14°

#### DCL

(2-3) = (5-6)  
 (8-9) = (11-12)

@100kHz, 100mV  
 62μH MIN

#### INSERTION LOSS

FREQ.(MHz)	1	2-300	400	500
dB MAX	0.3	1.0	1.5	2.0

#### RETURN LOSS

FREQ.(MHz)	1	2-300	400	500	600
dB MIN	18	20	15	12	9

#### CM TO DM REJECTION RATIO

FREQ.(MHz)	50	100	200	300	400	500
dB TYP	48	42	36	33	30	28

#### CM TO CM REJECTION RATIO

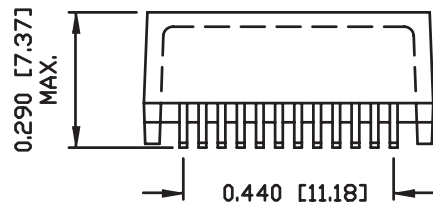
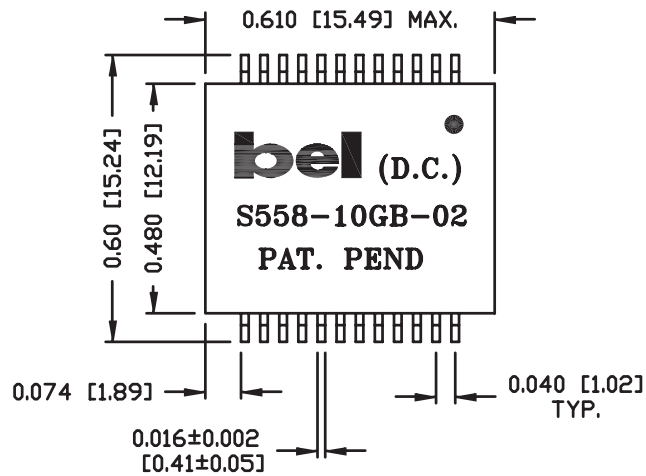
FREQ.(MHz)	50	100	200	300	400	500
dB TYP	30	27	24	22	21	20

#### HIPOT

1500Vrms

# 10GBASE-T ETHERNET MAGNETICS

## S558-10GB-02 Single Port Transformer Module



**NOTES:**

1. STANDARD MARKING REFER TO DOC. HAND-WORK-04.
2. PACKAGE CODE: 'QABS001'.

**SUGGESTED PCB PAD LAYOUT**

