

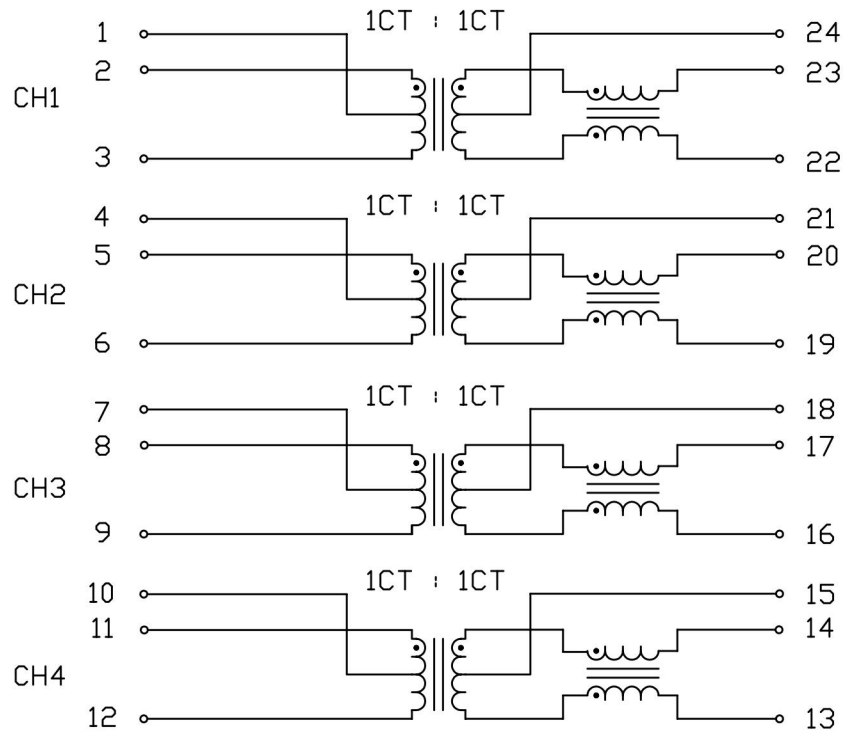
THE INFORMATION CONTAINED HEREIN IS CONSIDERED 'PROPRIETARY' TO BEL FUSE INC. AND SHALL NOT BE COPIED, REPRODUCED OR DISCLOSED WITHOUT THE WRITTEN APPROVAL OF BEL FUSE INC.

RoHS



ELECTRICAL SPECIFICATION @25°C

SCHEMATIC



URNS RATIO
 (2-3) : (23-22)
 (5-6) : (20-19)
 (8-9) : (17-16)
 (11-12) : (14-13)

1CT : 1CT
 1CT : 1CT
 1CT : 1CT
 1CT : 1CT

POLARITY

2°&23°, 5°&20°
 8°&17°, 11°&14°

INSERTION LOSS

FREQ(MHz)	1-100	200	300	400	500
dB MAX	1.0	1.25	1.6	2.0	2.5

RETURN LOSS

FREQ(MHz)	1	10-100	200	300	400-500
dB MIN	18	20	18	15	10

CM TO DM
 REJECTION RATIO

FREQ(MHz)	50	100	200	300	400	500
dB TYP	48	42	36	33	30	28

CM TO CM
 REJECTION RATIO

FREQ(MHz)	50	100	200	300	400	500
dB TYP	30	27	24	22	21	20

HIPOT

1500Vrms

DESIGNED TO SUPPORT 57V, 100W APPLICATIONS WHEN USING ALL 4 CHANNELS

REV. : C PAGE : 2

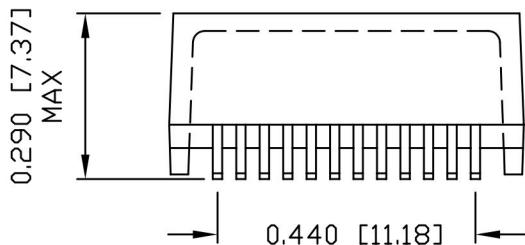
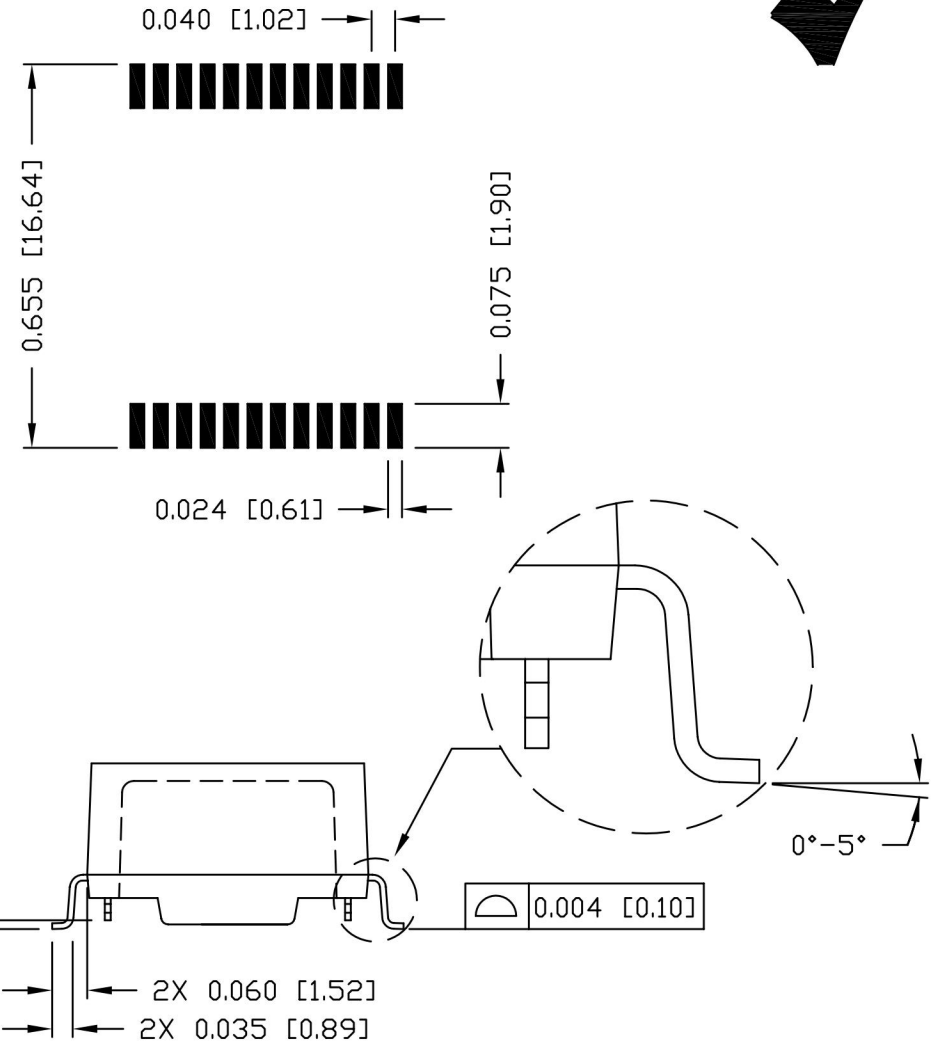
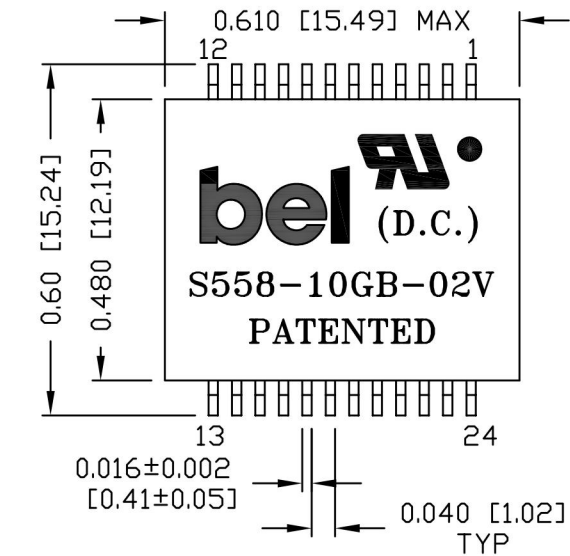
ORIGINATED BY	DATE	TITLE	PART NO. / DRAWING NO.	STANDARD DIM.	[] METRIC DIM. AS REF.
Alice Pang	2015-03-04	ELECTRICAL SPECIFICATION S558-10GB-02V	S558-10GB02V	TOL. IN INCH	UNIT : INCH [mm]
DRAWN BY	DATE		FILE NAME	.X	SCALE : N/A
ZC Guo	2015-03-04		S55810GB02VC.DWG	.XX	SIZE : A4
				.XXX	



THE INFORMATION CONTAINED HEREIN IS CONSIDERED 'PROPRIETARY' TO BEL FUSE INC. AND SHALL NOT BE COPIED, REPRODUCED OR DISCLOSED WITHOUT THE WRITTEN APPROVAL OF BEL FUSE INC.



SUGGESTED PCB PAD LAYOUT



NOTES :

1. STANDARD MARKING REFER TO DOC. HAND-WORK-04.
2. PACKAGE CODE : "QABS001A".
3. PATENT NO : U.S. PAT. 7429195 ; 7924130

ORIGINATED BY		DATE	TITLE	PART NO. / DRAWING NO.		STANDARD DIM. [] METRIC DIM. AS REF.		REV. : D	PAGE : 3	
Lawrence Tsang		2016-01-25	MECHANICAL OUTLINE S558-10GB-02V	S558-10GB02V		TOL. IN INCH		UNIT : INCH [mm]		
DRAWN BY		DATE		FILE NAME	.X		SCALE : N/A		 POWER PROTECT CONNECT	
ZC Guo		2016-01-25		S55810GB02VD.DWG	.XX ±0.01		SIZE : A4			
						.XXX ±0.005				