

THE INFORMATION CONTAINED HEREIN IS CONSIDERED "PROPRIETARY" TO BEL FUSE INC. AND SHALL NOT BE COPIED, REPRODUCED OR DISCLOSED WITHOUT THE WRITTEN APPROVAL OF BEL FUSE INC.

LED 1 POLARITY			LED 2 POLARITY		
PIN 17	PIN 18	COLOR	PIN 19	PIN 20	COLOR
-	+	YELLOW	+	-	ORANGE
			-	+	GREEN

RoHS



**ELECTRICAL CHARACTERISTICS @ 25°C**

**URNS RATIO**  
 TP1 1CT : 1CT ±2%  
 TP2 1CT : 1CT ±2%  
 TP3 1CT : 1CT ±2%  
 TP4 1CT : 1CT ±2%

**QCL @ 100kHz/100mVRMS (4 CHANNEL)**  
 11mA DC BIAS 350µH MIN.  
 Compliant to IEEE 802.3at specification

**INS. LOSS**  
 0.1MHz TO 1MHz -1.1 dB MAX  
 1MHz TO 65MHz -0.8 dB MAX  
 65MHz TO 100MHz -1.0 dB MAX  
 100MHz TO 125MHz -1.2 dB MAX

**RET. LOSS (MIN)**  
 0.5MHz-40MHz -18 dB  
 40MHz-100MHz -12+20LOG(f/80MHz) dB

**CM TO CM REJ**  
 100kHz - 100MHz -30 dB MIN

**CM TO DM REJ**  
 100kHz - 100MHz -35 dB MIN

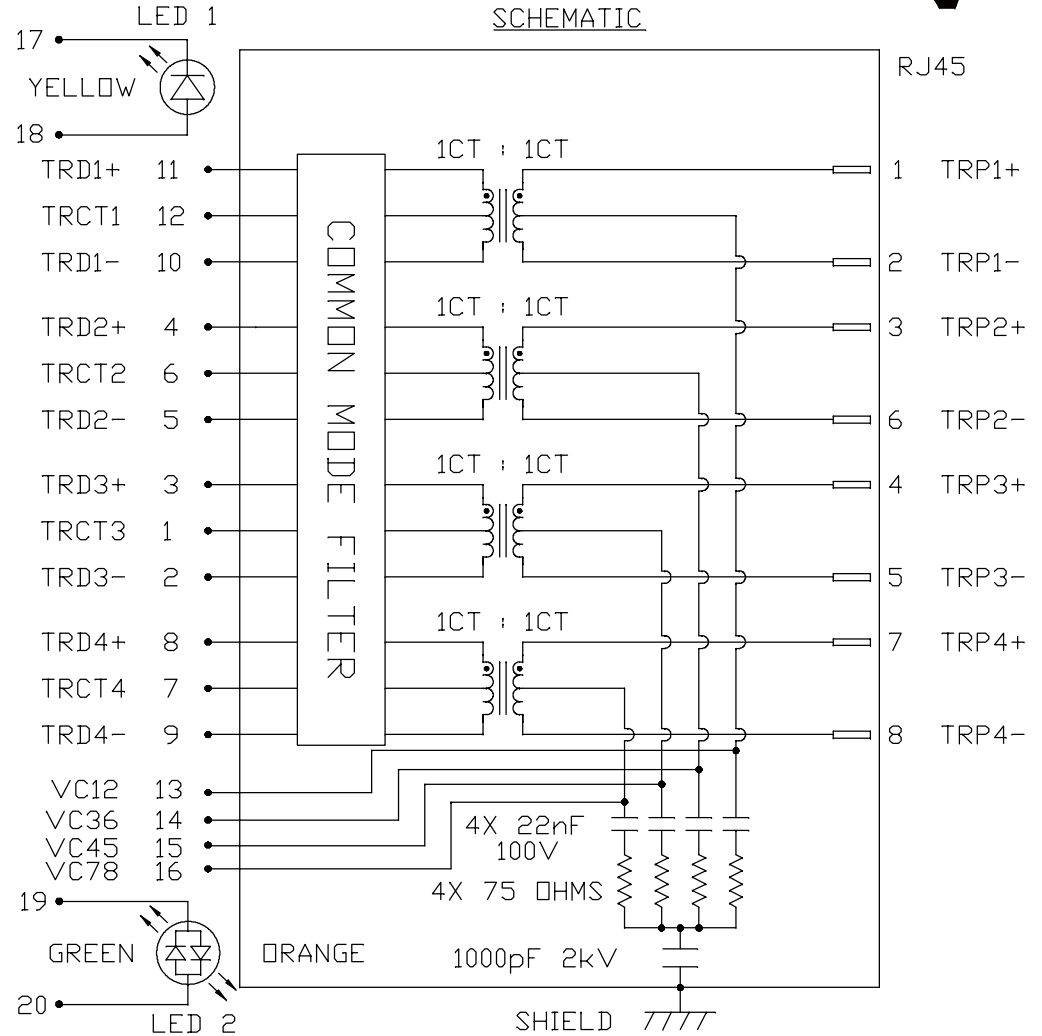
**HIPOT (Isolation Voltage):** 2250 VDC  
 100% OF PRODUCTION TESTED TO COMPLY  
 WITH IEEE 802.3 ISOLATION REQUIREMENTS

**BALANCED DC LINE CURRENT** 720 mA MAX. @ 57 VDC CONTINUOUS  
 1.2 A MAX. @ 57 VDC FOR 200 MILLISECONDS

**LED 1**  
 VF (FORWARD VOLTAGE) IF=20mA YELLOW 2.1V TYP.  
 λD (DOMINANT WAVELENGTH) IF=20mA YELLOW 590nm TYP.

**LED 2**  
 VF (FORWARD VOLTAGE) IF=20mA GREEN 2.2V TYP.  
 ORANGE 2.0V TYP.  
 λD (DOMINANT WAVELENGTH) IF=20mA GREEN 570nm TYP.  
 ORANGE 605nm TYP.

**OPERATING TEMPERATURE:** -40°C TO 85°C



REV. : C PAGE : 2

<b>ORIGINATED BY</b> CHOW WANCHUNG <b>DATE</b> 2017-06-06	<b>TITLE</b> Gigabit MagJack® (PoEp, Extended Temperature)	<b>PART NO. / DRAWING NO.</b> 08261X2TGH-F	<b>STANDARD DIM.</b> TOL. IN INCH	<b>[ ] METRIC DIM.</b> AS REF.
<b>DRAWN BY</b> XIE YIMING <b>DATE</b> 2017-06-06	0826-1X2T-GH-F PATENTED	<b>FILE NAME</b> 08261X2TGH-F_C.DWG	.X .XX .XXX	UNIT : INCH [mm] SCALE : N/A SIZE : A4



THE INFORMATION CONTAINED HEREIN IS CONSIDERED "PROPRIETARY" TO BEL FUSE INC. AND SHALL NOT BE COPIED, REPRODUCED OR DISCLOSED WITHOUT THE WRITTEN APPROVAL OF BEL FUSE INC.

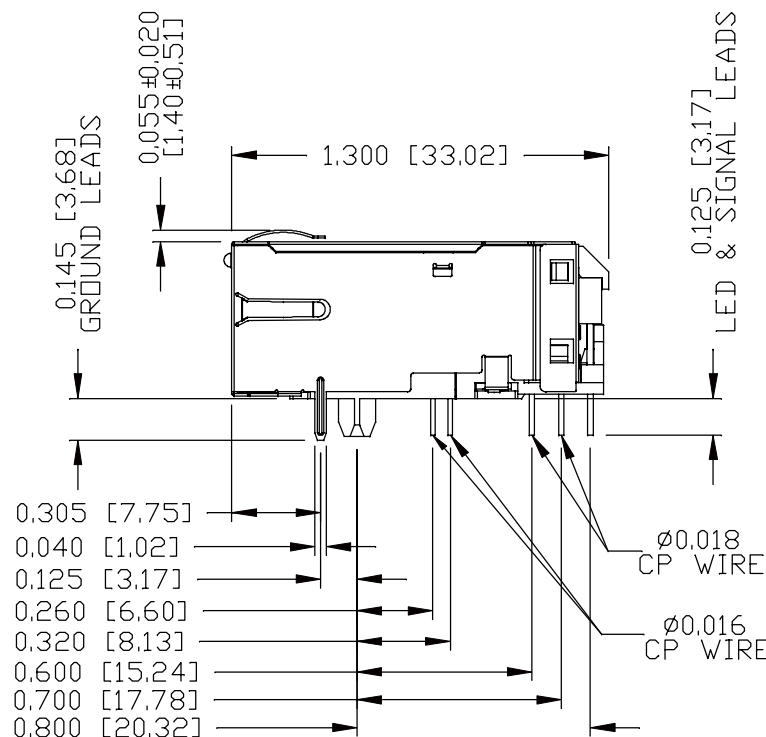
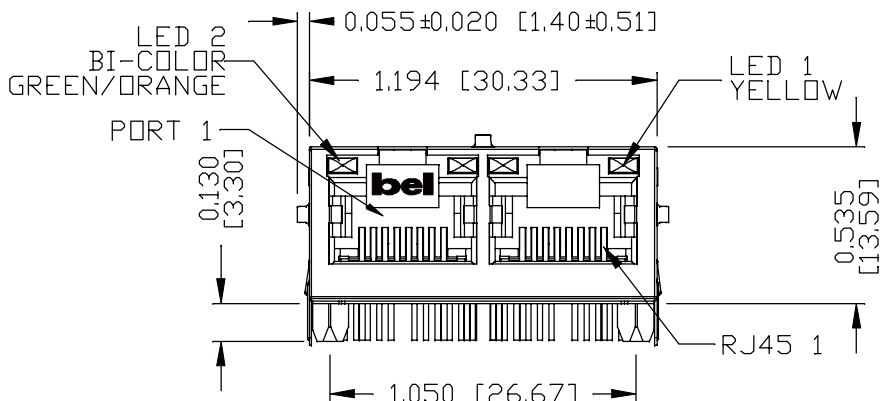
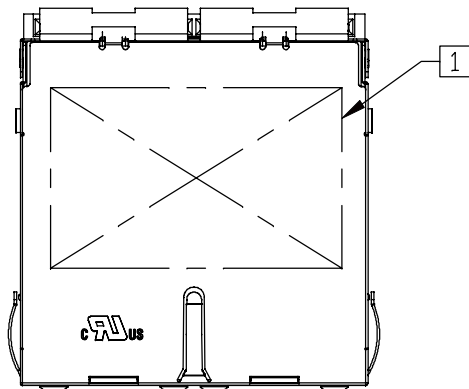
RoHS



NOTES:

- PLASTIC HOUSING: THERMOPLASTIC PBT, BLACK  
FLAMMABILITY RATING UL 94V-0
- CONTACTS: 50 MICRO-INCH HARD GOLD PLATING OR EQUIVALENT.
- OUTPUT PINS: TIN-COATED COPPER WIRE, DIA 0.018 INCH.  
100 MICRO-INCH MIN MATTE TIN.  
PINS ARE SOLDER DIPPED.
- METAL SHIELD: NICKEL PLATED ON COPPER ALLOY.  
(ALL GROUND LEADS ARE SOLDER DIPPED)

1. MARK PART WITH MFG LOGO, MFG NAME, PART NUMBER, DATE CODE AND PATENTED.



- 2. THE PRODUCT IS PATENTED. THE PATENT NUMBER IS U.S. PAT. 7,123,117.
- 3. THE PRODUCT IS RoHS COMPLIANT.
- UL** UL RECOGNIZED - FILE #E196366 AND E169987.
- 4. JACK CAVITY CONFORMS TO FCC RULES AND REGULATIONS.
- 5. THE PART IS RECOMMENDED FOR WAVE SOLDERING. THE SUGGESTED PEAK WAVE SOLDERING CONDITION IS 260°C MAX AND 10 SECONDS MAX.

REV. : C PAGE : 3

ORIGINATED BY  
ANTON LIAO  
DATE 2017-06-06  
DRAWN BY  
LI QUANKUN  
DATE 2017-06-06

TITLE  
Gigabit MagJack®  
(PoEp, Extended Temperature)  
0826-1X2T-GH-F  
PATENTED

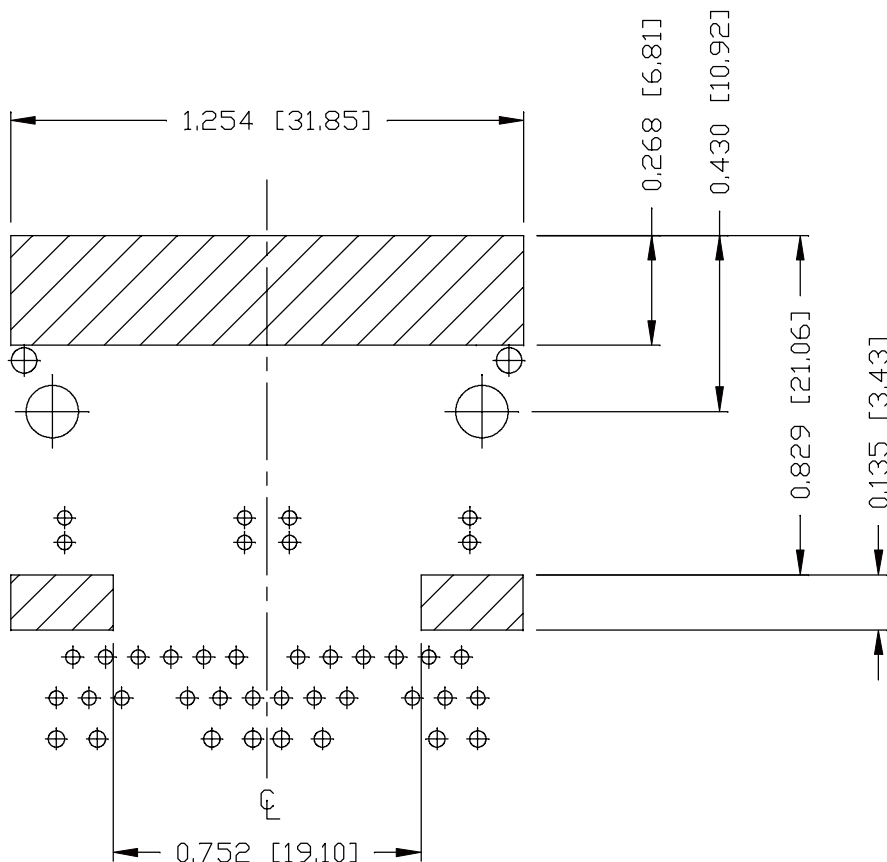
PART NO. / DRAWING NO.  
08261X2TGH-F  
FILE NAME  
08261X2TGH-F\_C.DWG

STANDARD DIM. [ ] METRIC DIM.  
TOL. IN INCH AS REF.  
.X UNIT : INCH [mm]  
.XX SCALE : N/A  
.XXX ±0.010 SIZE : A4



THE INFORMATION CONTAINED HEREIN IS CONSIDERED "PROPRIETARY" TO BEL FUSE INC. AND SHALL NOT BE COPIED, REPRODUCED OR DISCLOSED WITHOUT THE WRITTEN APPROVAL OF BEL FUSE INC.

RoHS



NOTES

THE SHADED AREA ON THE CUSTOMER BOARD ARE RECOMMENDED TO BE CLEAR OFF ANY VIA HOLE OR COMPONENT PAD.

ORIGINATED BY  
ANTON LIAO  
DATE 2017-06-06

DRAWN BY  
LI QUANKUN  
DATE 2017-06-06

TITLE  
Gigabit MagJack®  
(PoEp, Extended Temperature)  
0826-1X2T-GH-F  
PATENTED

PART NO. / DRAWING NO.  
08261X2TGH-F

FILE NAME  
08261X2TGH-F\_C.DWG

STANDARD DIM.  
TOL. IN INCH

.X	/
.XX	
.XXX	

±0.004

[ ] METRIC DIM.  
AS REF.

UNIT : INCH [mm]  
SCALE : N/A  
SIZE : A4

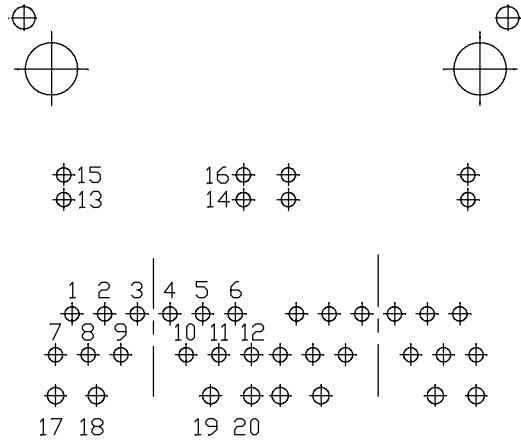
REV. : C PAGE : 4



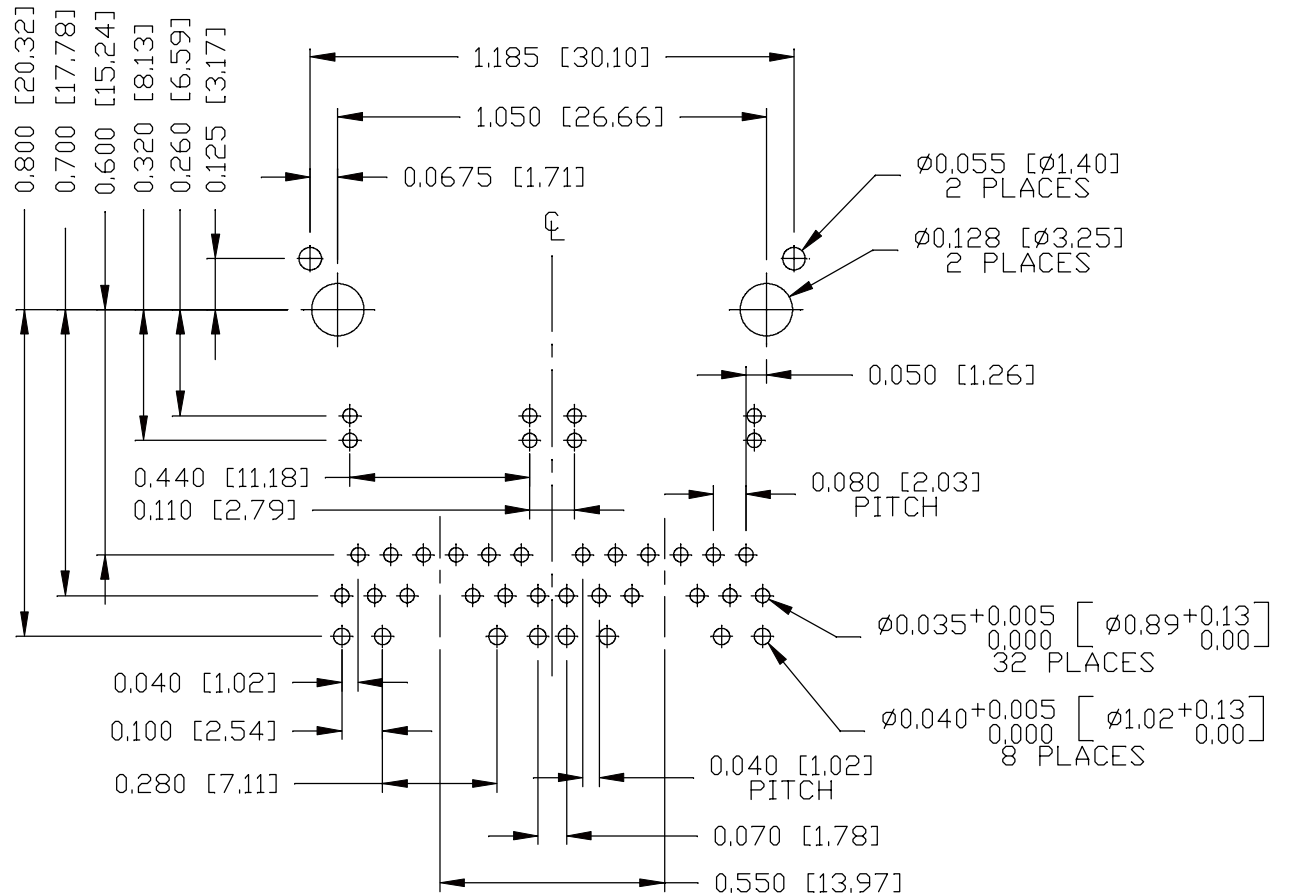
THE INFORMATION CONTAINED HEREIN IS CONSIDERED "PROPRIETARY" TO BEL FUSE INC. AND SHALL NOT BE COPIED, REPRODUCED OR DISCLOSED WITHOUT THE WRITTEN APPROVAL OF BEL FUSE INC.

RECOMMENDED PCB FOOTPRINT  
COMPONENT SIDE VIEW

RoHS



PIN-OUT INFORMATION



ORIGINATED BY  
ANTON LIAO  
DATE 2017-06-06  
DRAWN BY  
LI QUANKUN  
DATE 2017-06-06

TITLE  
Gigabit MagJack®  
(PoEp, Extended Temperature)  
0826-1X2T-GH-F  
PATENTED

PART NO. / DRAWING NO.  
08261X2TGH-F  
FILE NAME  
08261X2TGH-F\_C.DWG

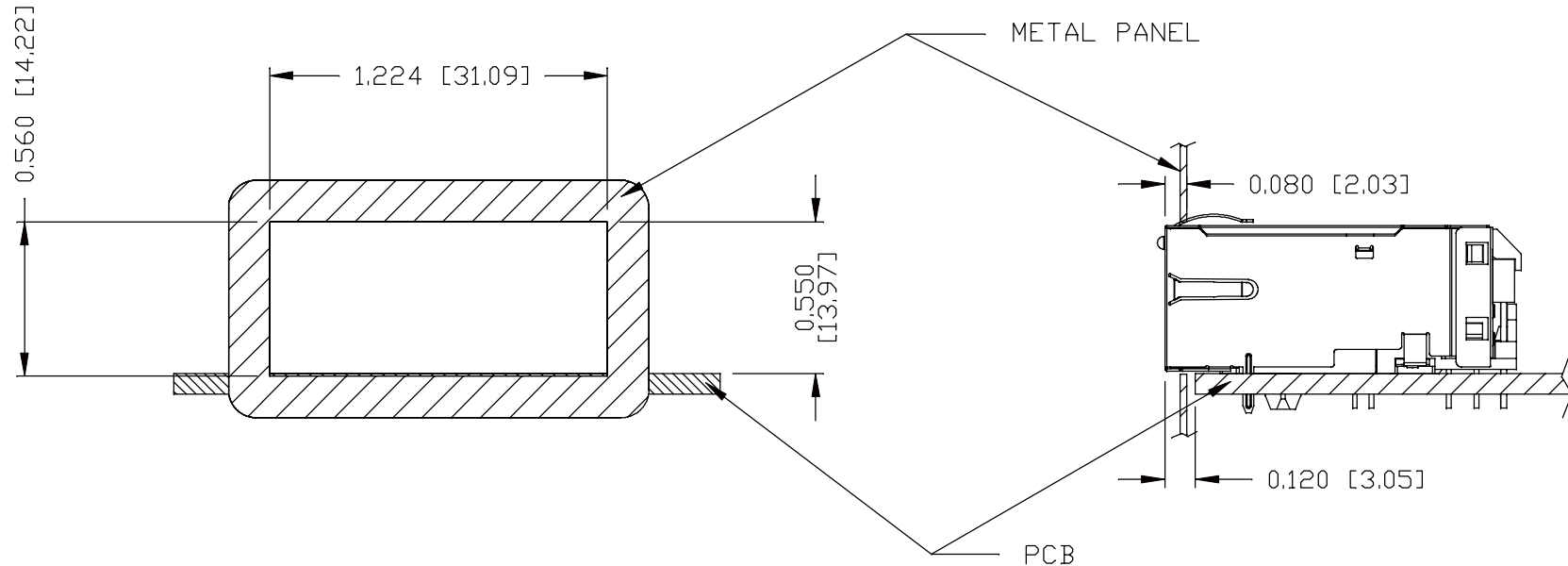
STANDARD DIM. TOL. IN INCH	[ ] METRIC DIM. AS REF.
.X	UNIT : INCH [mm]
.XX	SCALE : N/A
.XXX	SIZE : A4

REV. : C PAGE : 5



THE INFORMATION CONTAINED HEREIN IS CONSIDERED "PROPRIETARY" TO BEL FUSE INC. AND SHALL NOT BE COPIED, REPRODUCED OR DISCLOSED WITHOUT THE WRITTEN APPROVAL OF BEL FUSE INC.

SUGGESTED PANEL OPENING



NOTES:

THE DISTANCE OF PANEL INSIDE SURFACE RELATIVE TO FRONT SURFACE OF PART IS ONLY A SUGGESTION. IN CASE THIS DISTANCE IS DIFFERENT, THE REQUIRED PANEL OPENING DIMENSIONS CHANGE ACCORDINGLY.

PACKING INFORMATION

PACKING TRAY: 0200-9999-I1 (TOP)  
0200-9999-I2 (BOTTOM)

PACKING QUANTITY: 49 PCS FINISHED GOODS PER TRAY  
7 TRAYS (343 PCS FINISHED GOODS) PER CARTON BOX.

NOTE: CARDBOARD ARE PLACED BETWEEN LAYERS OF PACKING TRAY INSIDE CARTON BOX.  
(INCLUDE THE UPPERMOST AND LOWEREST TRAY)

REV. : C PAGE : 6

ORIGINATED BY ANTON LIAO DATE 2017-06-06	TITLE Gigabit MagJack® (PoEp, Extended Temperature) 0826-1X2T-GH-F PATENTED	PART NO. / DRAWING NO. 08261X2TGH-F	STANDARD DIM. TOL. IN INCH	[ ] METRIC DIM. AS REF.		
		FILE NAME 08261X2TGH-F_C.DWG	.X	UNIT : INCH [mm]		
			.XX	SCALE : N/A		
DRAWN BY LI QUANKUN DATE 2017-06-06			.XXX	±0.004	⊕	SIZE : A4

