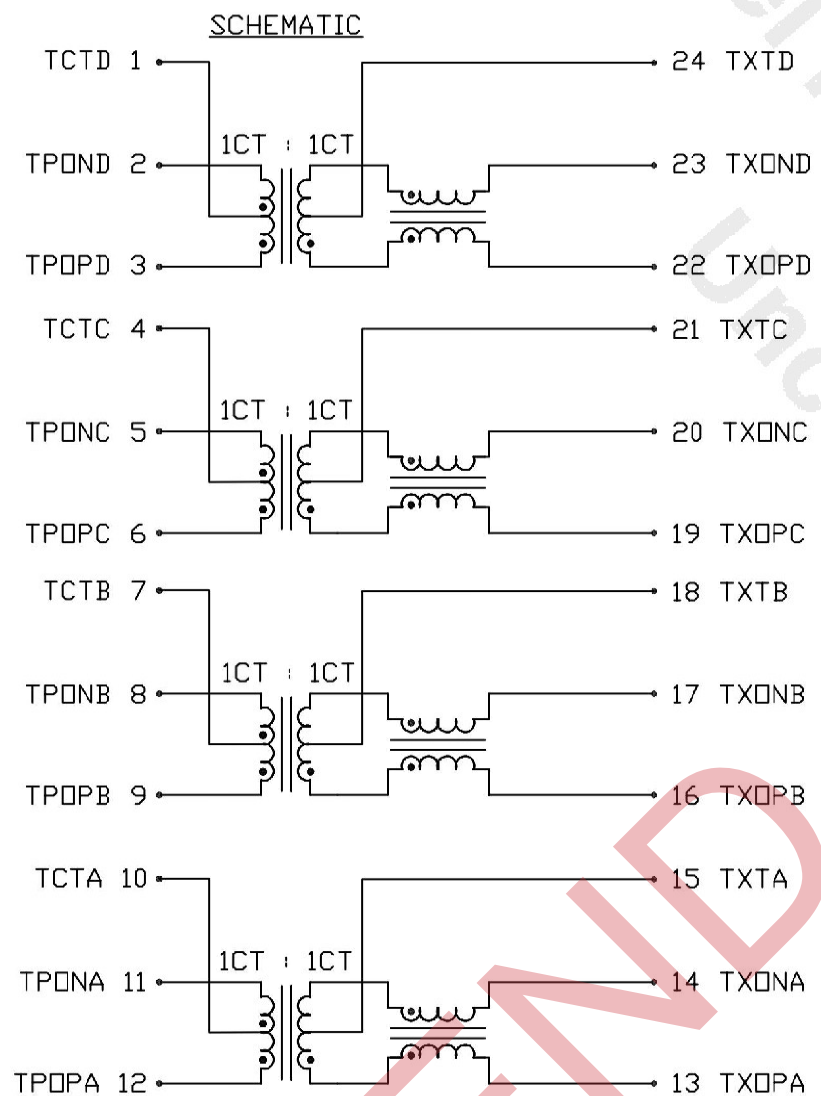


THE INFORMATION CONTAINED HEREIN IS CONSIDERED "PROPRIETARY" TO BEL FUSE INC. AND SHALL NOT BE COPIED, REPRODUCED OR DISCLOSED WITHOUT THE WRITTEN APPROVAL OF BEL FUSE INC.



ELECTRICAL CHARACTERISTICS @ 25°C



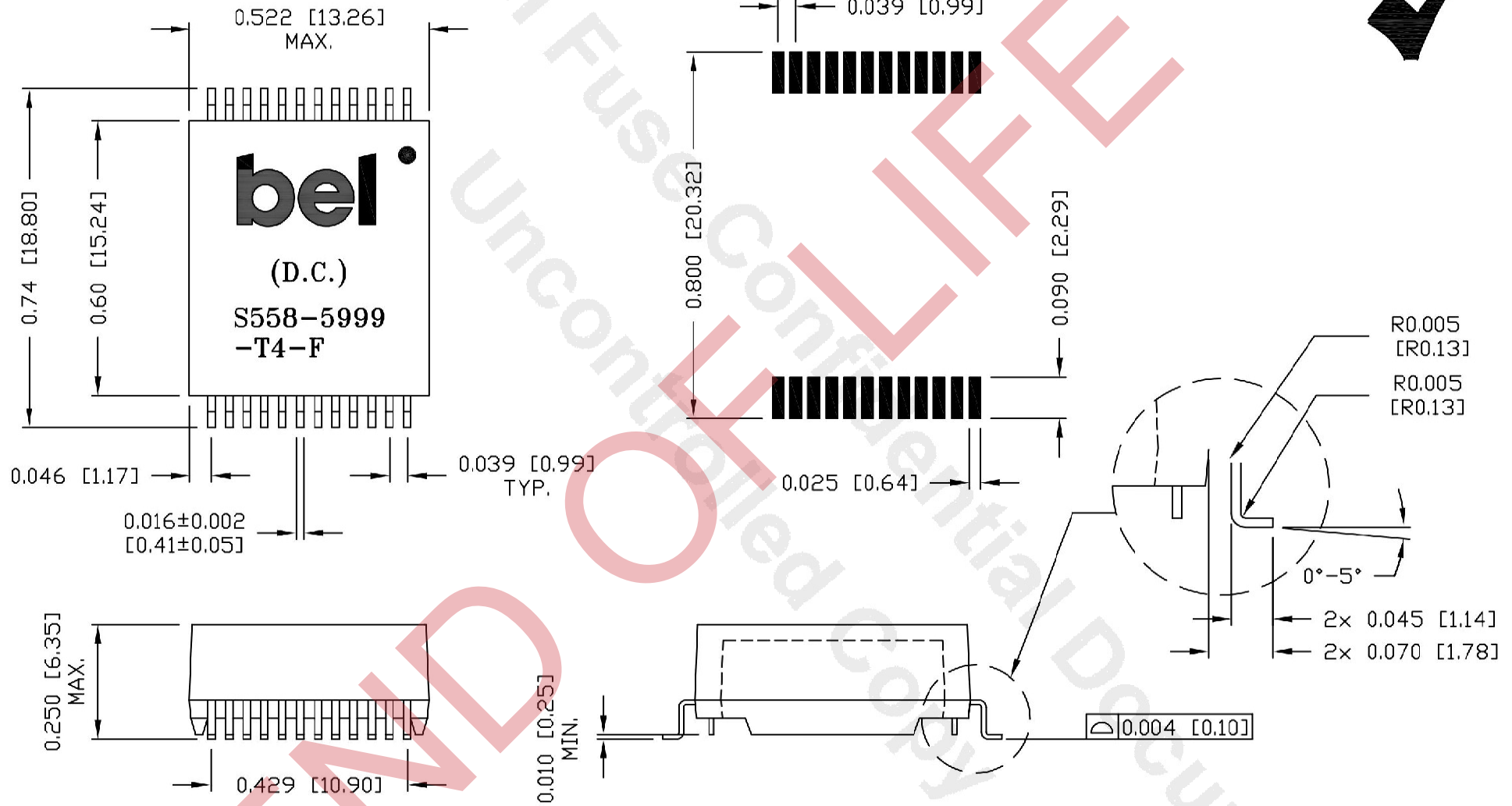
<b>URNS RATIO</b>	
(3-1-2) : (22-24-23)	1CT : 1CT
(6-4-5) : (19-21-20)	1CT : 1CT
(9-7-8) : (16-18-17)	1CT : 1CT
(12-10-11) : (13-15-14)	1CT : 1CT
<b>QCL</b>	350µH MIN. AT 100kHz, 100mV WITH 8mA DC BIAS @25°C
<b>INSERTION LOSS</b>	1.1dB MAX. @ 0.1 TO 1MHz 0.5dB MAX. @ 1 TO 65MHz 1.0dB MAX. @ 80MHz 1.2dB MAX. @ 125MHz
<b>RETURN LOSS</b> UNDER 100 OHM ±15% ENVIRONMENT	18dB MIN. @ 0.5 TO 40 MHz 12-20LOG (F/80MHz) MIN. @ 40 TO 100 MHz
<b>COMMON TO COMMON REJECTION</b>	30dB MIN. @ 0.1 TO 100 MHz
<b>CROSSTALK</b>	33-20 LOG (F/100 MHz) dB MIN @ 1 TO 100 MHz
<b>HIPOT</b>	PER HAND-WORK-03

REV. : B	PAGE : 2

<b>ORIGINATED BY</b> Alice Pang	<b>DATE</b> 2015-10-28	<b>TITLE</b> GIGABIT ETHERNET MAGNETICS S558-5999-T4-F	<b>PART NO. / DRAWING NO.</b> X5585999T4-F	<b>STANDARD DIM.</b> TOL. IN INCH	[ ] METRIC DIM. AS REF.
<b>DRAWN BY</b> ZC Guo	<b>DATE</b> 2015-10-28		<b>FILE NAME</b> X5585999T4FB.DWG	.X .XX .XXX	UNIT : INCH [mm] SCALE : N/A SIZE : A4

THE INFORMATION CONTAINED HEREIN IS CONSIDERED "PROPRIETARY" TO BEL FUSE INC. AND SHALL NOT BE COPIED, REPRODUCED OR DISCLOSED WITHOUT THE WRITTEN APPROVAL OF BEL FUSE INC.

SUGGESTED PCB PAD LAYOUT



NOTES:

1. STANDARD MARKING REFER TO DOC. HAND-WORK-04.
2. PACKAGE CODE: "QTS001".

ORIGINATED BY	DATE
Lawrence Tsang	2015-10-28
DRAWN BY	DATE
ZC Guo	2015-10-28

TITLE
MECHANICAL DRAWING
S558-5999-T4-F

PART NO. / DRAWING NO.
X5585999T4-F
FILE NAME
X5585999T4FB.DWG

STANDARD DIM.	[ ] METRIC DIM. AS REF.
TOL. IN INCH	UNIT : INCH [mm]
.X	SCALE : N/A
.XX ±0.01	SIZE : A4
.XXX ±0.005	

REV. : B	PAGE : 3
----------	----------

