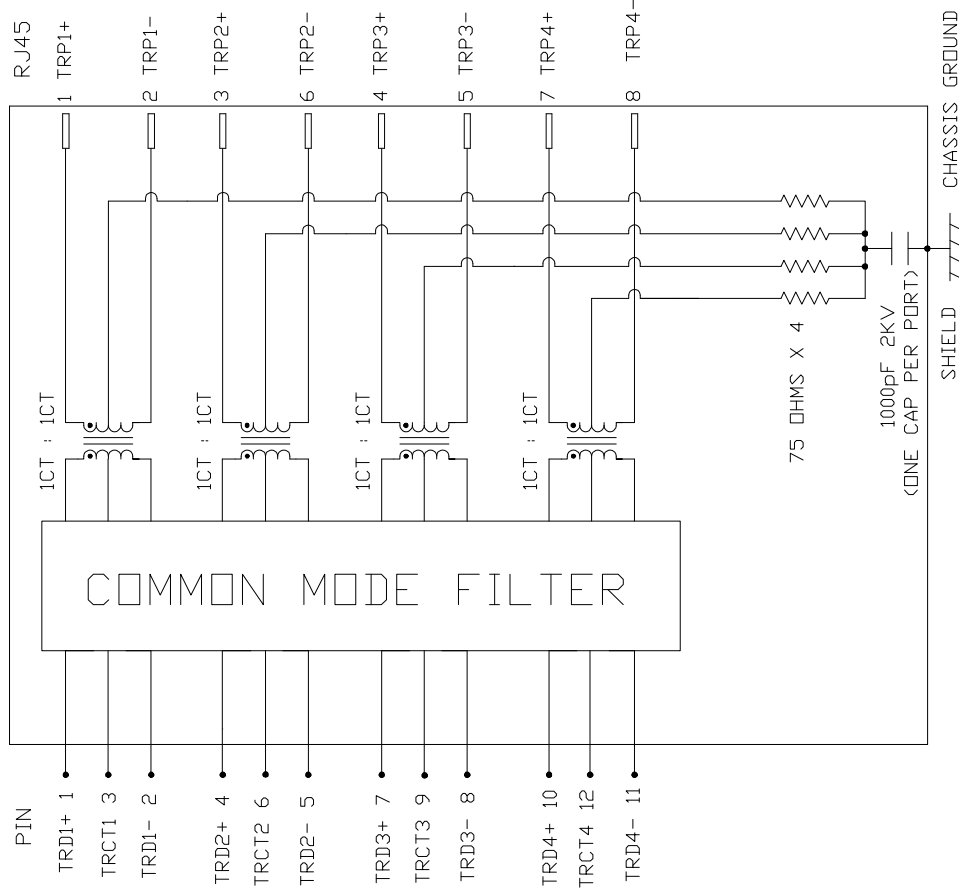


THE INFORMATION CONTAINED HEREIN IS CONSIDERED "PROPRIETARY" TO BEL FUSE INC. AND SHALL NOT BE COPIED, REPRODUCED OR DISCLOSED WITHOUT THE WRITTEN APPROVAL OF BEL FUSE INC.



PRELIMINARY

SCHEMATIC



ELECTRICAL CHARACTERISTICS @ 25°C

- TURNS RATIO
 TP1 1CT : 1CT
 TP2 1CT : 1CT
 TP3 1CT : 1CT
 TP4 1CT : 1CT

 INS. LOSS (MAX)
 1MHZ TO 20MHZ -0.8 dB
 50MHZ -1.0 dB
 200MHZ -1.2 dB
 400MHZ -2.0 dB
 500MHZ -3.0 dB

 RET. LOSS (MIN) @ 100 OHMS
 1MHZ < f < 40MHZ 16 dB MIN
 40MHZ < f < 400MHZ 16-10LOG<(f/40MHZ) dB
 400MHZ < f < 500MHZ 6-30LOG<(f/400MHZ) dB

 CM TO CM REJ
 1MHZ - 500MHZ -25 dB MIN

 CM TO DM REJ
 1MHZ - 500MHZ -30 dB MIN

 HIPOT (Isolation Voltage): 2250VDC
 100% OF PRODUCTION TESTED TO COMPLY WITH
 IEEE 802.3 ISOLATION REQUIREMENTS.
 OPERATING TEMPERATURE: -40°C TO +85°C.

ORIGINATED BY CHOW WANCHUNG	TITLE 2X4 10 Gigabit MagJack®
DATE 2023-08-11	PRESS FIT
DRAWN BY TERRY LIN	PATENTED
DATE 2023-08-11	

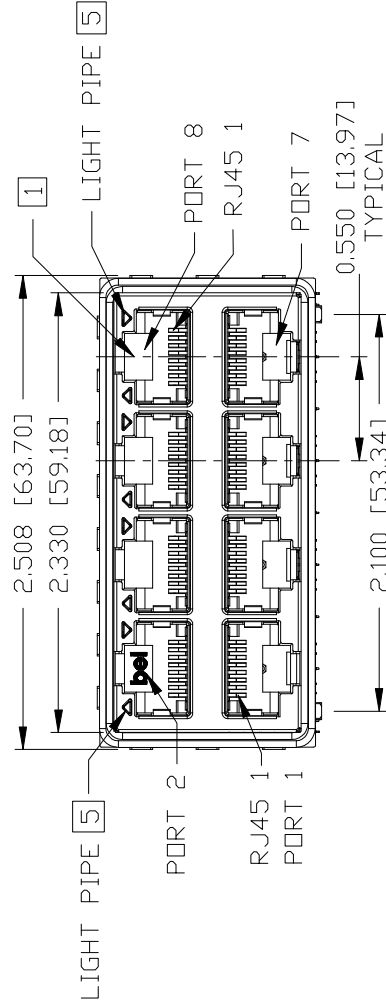
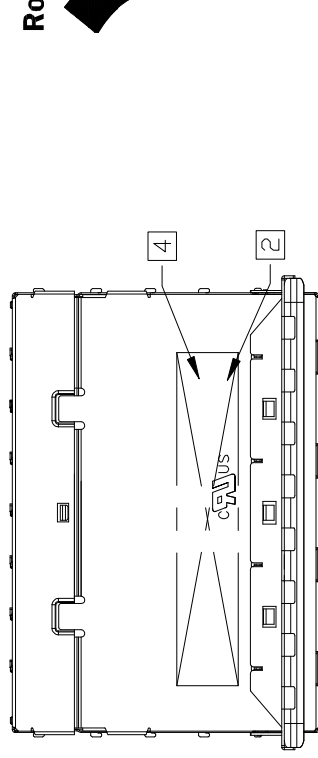
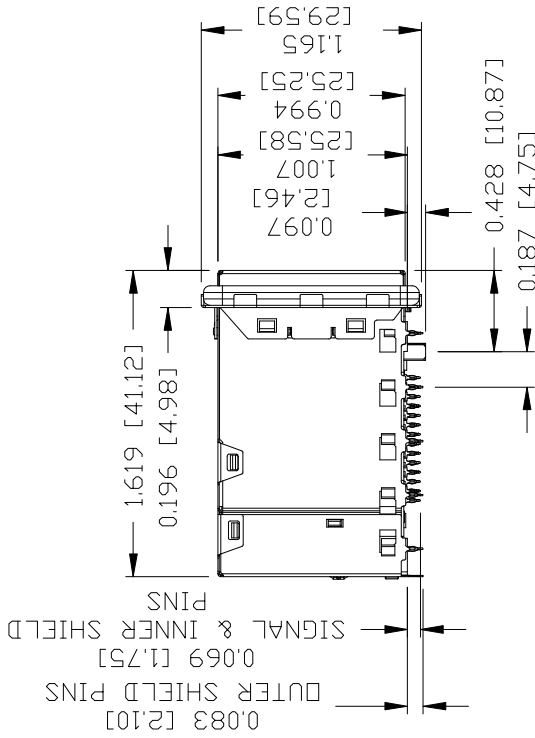
PART NO. / DRAWING NO. G37-88NV-010B	STANDARD DIM. TOL. IN INCH [] METRIC DIM. AS REF.
FILE NAME G37-88NV-010B_1.DWG	UNIT : INCH [mm] SCALE : N/A SIZE : A4



This document is electronically generated. This is a controlled copy if used internally

THE INFORMATION CONTAINED HEREIN IS CONSIDERED "PROPRIETARY" TO BEL FUSE INC. AND SHALL NOT BE COPIED, REPRODUCED OR DISCLOSED WITHOUT THE WRITTEN APPROVAL OF BEL FUSE INC.

PRELIMINARY



NOTES:

- JACK CAVITY CONFORMS TO FCC RULES AND REGULATIONS, PART 68 SUBPART F.
- MARK PART WITH MFG LOGO, NAME, PART NUMBER AND DATE CODE.
- THE PRODUCT IS RoHS COMPLIANT.
- THE PRODUCT IS PATENTED. "PATENTED" MARKING IS ON THE TOP SURFACE. THE PATENT NUMBER ARE U.S. PAT. 7,429,195 & U.S. PAT. 6,840,817 & U.S. PAT. 7,123,117 AND U.S. PAT. 7,924,130.
- THE FINISHED GOODS IS WITHOUT SMD LED, THE SMD LED IS PROVIDED BY CUSTOMER HERSELF, AND THE SMD LED IS MOUNTED ON CUSTOMER PCB.
- RECOMMENDED MINIMUM CUSTOMER PCB THICKNESS IS 0.080 INCH.
- DATUM C AND BASIC DIMENSION ESTABLISHED BY CUSTOMER.

PLASTIC HOUSING: THERMOPLASTIC HTN, BLACK.
 FLAMMABILITY RATING UL 94V-0
 CONTACT PLATING: 50 MICRO-INCH HARD GOLD PLATING OR EQUIVALENT
 OUTPUT PINS: NICKEL PLATED ON COPPER ALLOY PRESS FIT PINS
 METAL SHIELD: NICKEL OR TIN PLATED ON COPPER ALLOY.

ORIGINATED BY
 TONY YUAN
 DATE 2023-08-11
 DRAWN BY
 JARRY YE
 DATE 2023-08-11

TITLE
 2X4 10 Gigabit MagJack®
 PRESS FIT
 PATENTED

PART NO. / DRAWING NO.
 G37-88NV-010B
 FILE NAME
 G37-88NV-010B_1.DWG

STANDARD DIM.	[] METRIC DIM.
TOL. IN INCH	AS REF.
.X	UNIT : INCH [mm]
.XX	SCALE : N/A
.XXX	±0.010
	SIZE : A4

REV. : 1 PAGE : 3

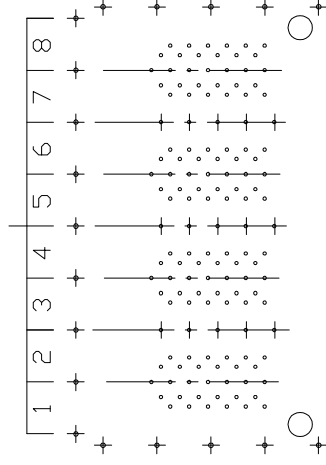


THE INFORMATION CONTAINED HEREIN IS CONSIDERED "PROPRIETARY" TO BEL FUSE INC. AND SHALL NOT BE COPIED, REPRODUCED OR DISCLOSED WITHOUT THE WRITTEN APPROVAL OF BEL FUSE INC.

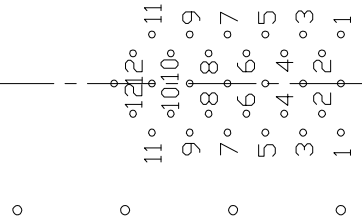
PRELIMINARY



PORT ASSIGNMENT
(COMPONENT SIDE VIEW)

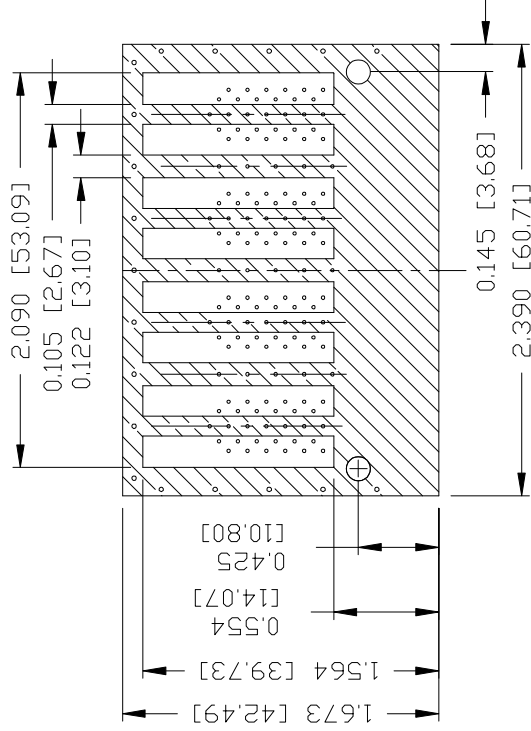


LOWER DECK
UPPER DECK



PIN-OUT INFORMATION
(COMPONENT SIDE VIEW)

10	TRD4+
9	TRCT3
8	TRD3-
7	TRD3+
6	TRCT2
5	TRD2-
4	TRD2+
3	TRCT1
2	TRD1-
1	TRD1+
12	TRCT4
11	TRD4-



THE SHADED AREA ON THE CUSTOMER BOARD ARE RECOMMENDED TO BE CLEAR OFF ANY VIA HOLE OR COMPONENT PAD.

ORIGINATED BY
TONY YUAN
DATE 2023-08-11
DRAWN BY
JARRY YE
DATE 2023-08-11

TITLE
2X4 10 Gigabit MagJack®
PRESS FIT
PATENTED

PART NO. / DRAWING NO.
G37-88NV-010B
FILE NAME
G37-88NV-010B_1.DWG

STANDARD DIM. [] METRIC DIM. AS REF.
TOL. IN INCH
.X
.XX
.XXX
±0.004
UNIT : INCH [mm]
SCALE : N/A
SIZE : A4

REV. : 1 PAGE : 4



MAGNETIC SOLUTIONS
a bel group

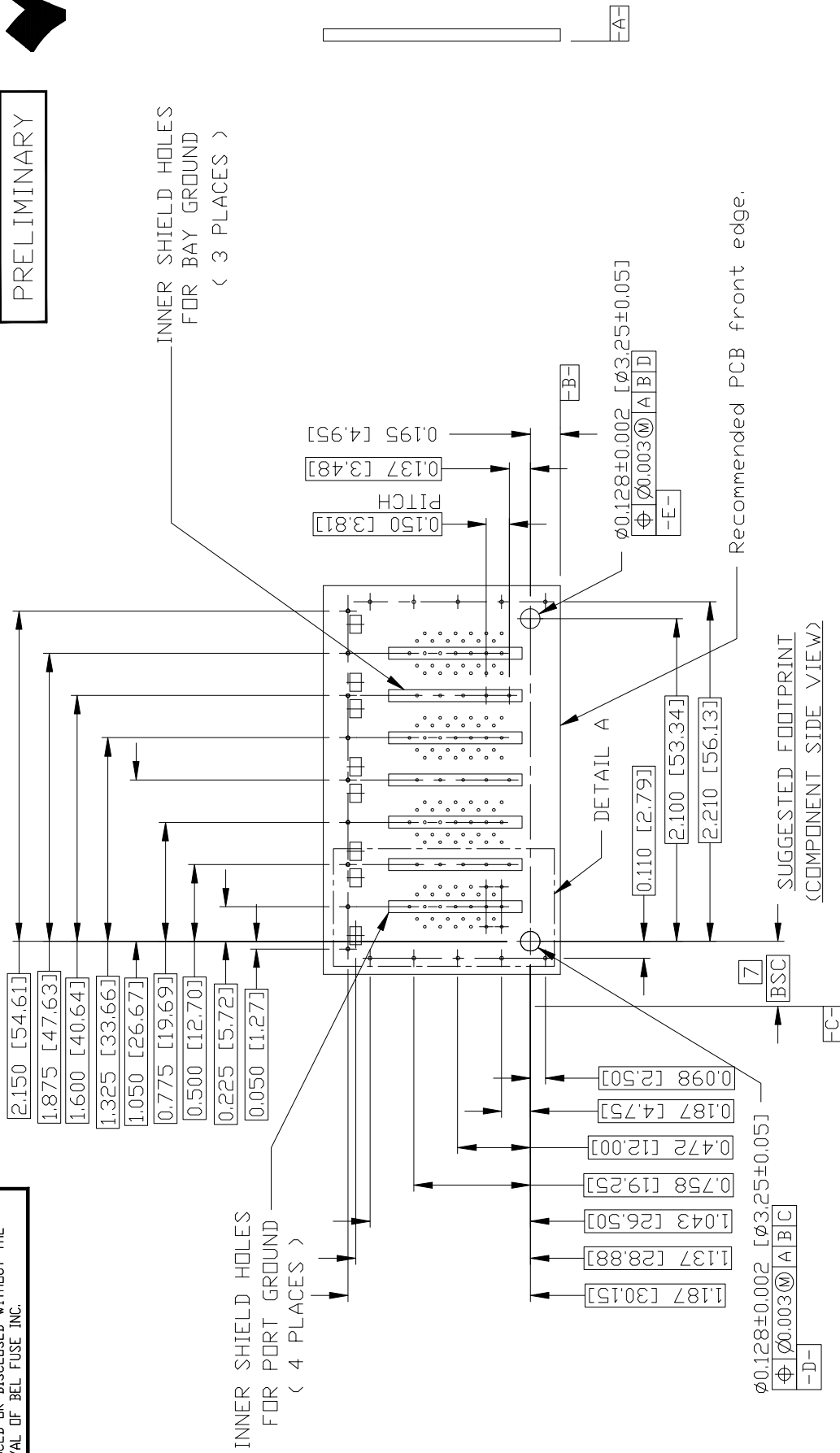
This document is electronically generated. This is a controlled copy if used internally

DC002(2)120214

THE INFORMATION CONTAINED HEREIN IS CONSIDERED "PROPRIETARY" TO BEL FUSE INC. AND SHALL NOT BE COPIED, REPRODUCED OR DISCLOSED WITHOUT THE WRITTEN APPROVAL OF BEL FUSE INC.

RoHS

PRELIMINARY



STANDARD DIM. AS REF.	[] METRIC DIM.
TOL. IN INCH	.X
UNIT : INCH [mm]	
SCALE : N/A	
SIZE : A4	

PART NO. / DRAWING NO.	G37-88NV-010B
FILE NAME	G37-88NV-010B_1.DWG

TITLE	2X4 10 Gigabit MagJack®
	PRESS FIT
	PATENTED

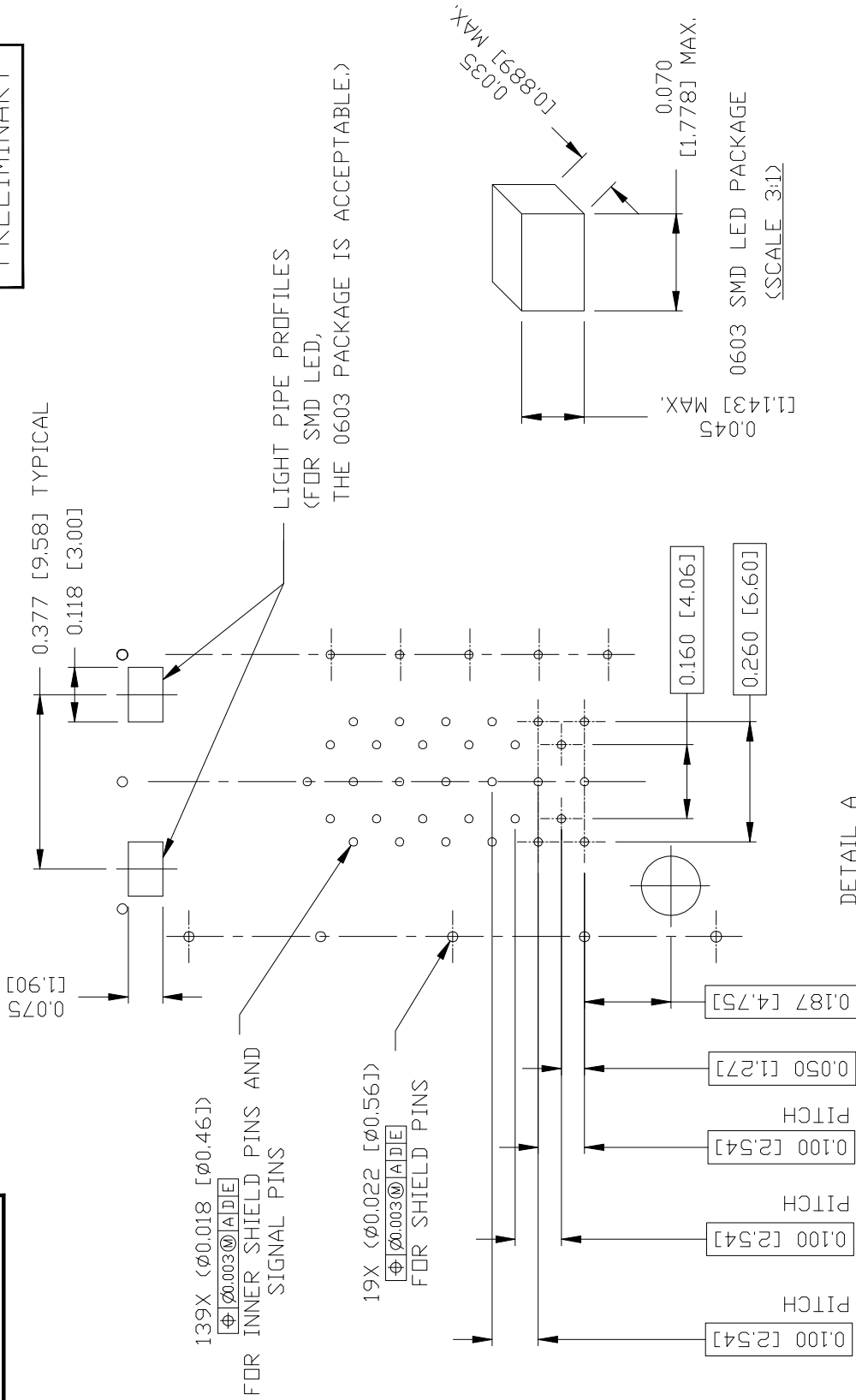
ORIGINATED BY	TONY YUAN
DATE	2023-08-11
DRAWN BY	JARRY YE
DATE	2023-08-11



THE INFORMATION CONTAINED HEREIN IS CONSIDERED "PROPRIETARY" TO BEL FUSE INC. AND SHALL NOT BE COPIED, REPRODUCED OR DISCLOSED WITHOUT THE WRITTEN APPROVAL OF BEL FUSE INC.



PRELIMINARY



DETAIL A

REV. : 1 PAGE : 6

MAGNETIC SOLUTIONS
a bel group

STANDARD DIM. AS REF.	[] METRIC DIM.
UNIT : INCH [mm]	
SCALE : N/A	
SIZE : A4	

PART NO. / DRAWING NO.	G37-88NV-010B
FILE NAME	G37-88NV-010B_1.DWG

TITLE	2X4 10 Gigabit MagJack® PRESS FIT PATENTED
-------	--

ORIGINATED BY	TONY YUAN
DATE	2023-08-11
DRAWN BY	JARRY YE
DATE	2023-08-11

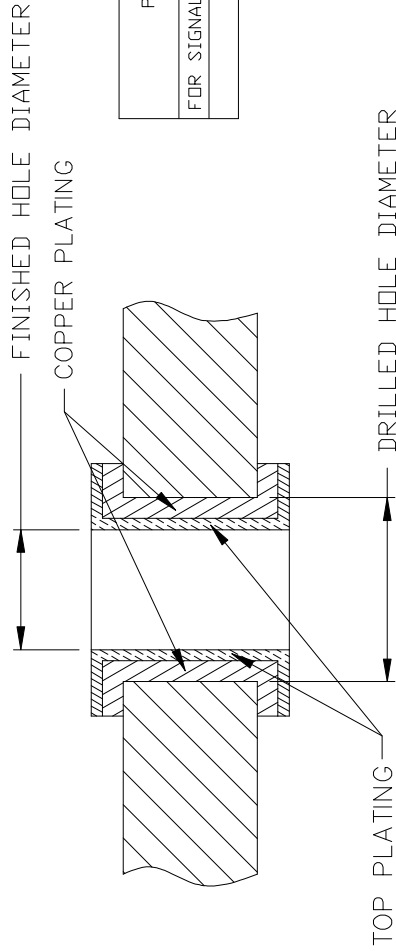
This document is electronically generated. This is a controlled copy if used internally

DC002(2)120214

THE INFORMATION CONTAINED HEREIN IS CONSIDERED "PROPRIETARY" TO BEL FUSE INC. AND SHALL NOT BE COPIED, REPRODUCED OR DISCLOSED WITHOUT THE WRITTEN APPROVAL OF BEL FUSE INC.

RoHS

PRELIMINARY



PLATED-THROUGH-HOLE	DRILLED HOLE DIAMETER	FINISHED HOLE DIAMETER
FDR SIGNAL PINS AND INNER SHIELD PINS	0.022 [0.57]	(0.018 [0.46]) REF
FDR SHIELD PINS	0.026 [0.66]	(0.022 [0.56]) REF

PLATED-THROUGH-HOLE CROSS-SECTION

PLATING	THICKNESS IN MICRO-INCHES [MICRONS]
COPPER	1000-2000 [25-50]
TOP PLATING - USE ONE OPTION LISTED BELOW:	
HOT AIR SOLDER LEVELING (HASL) TIN-LEAD (Sn-Pb)	160-400 [4-10]
IMMERSION TIN (Sn)	20-40 [0.5-1.0]
ORGANIC SOLDERABILITY PRESERVATIVE (OSP)	10-20 [0.2-0.5]
IMMERSION GOLD (Au) OVER NICKEL (Ni) (ENIG)	5-20 [0.1-0.5] (Au) OVER 50-100 [1.2-2.5] (Ni)
TIN-LEAD (Sn-Pb)	400-1000 [10-25]
IMMERSION SILVER (Ag)	5-8 [0.10-0.15]

RECOMMENDED PLATED-THROUGH-HOLE CONSTRUCTION DETAILS FOR PRESS-FIT PINS

ORIGINATED BY
TONY YUAN
DATE 2023-08-11
DRAWN BY
JARRY YE
DATE 2023-08-11

TITLE
2X4 10 Gigabit MagJack®
PRESS FIT
PATENTED

PART NO. / DRAWING NO.
G37-88NV-010B
FILE NAME
G37-88NV-010B_1.DWG

STANDARD DIM. [] METRIC DIM. AS REF.
TOL. IN INCH
.X
.XX
.XXX
±0.005
UNIT : INCH [mm]
SCALE : N/A
SIZE : A4

REV. : 1 PAGE : 7

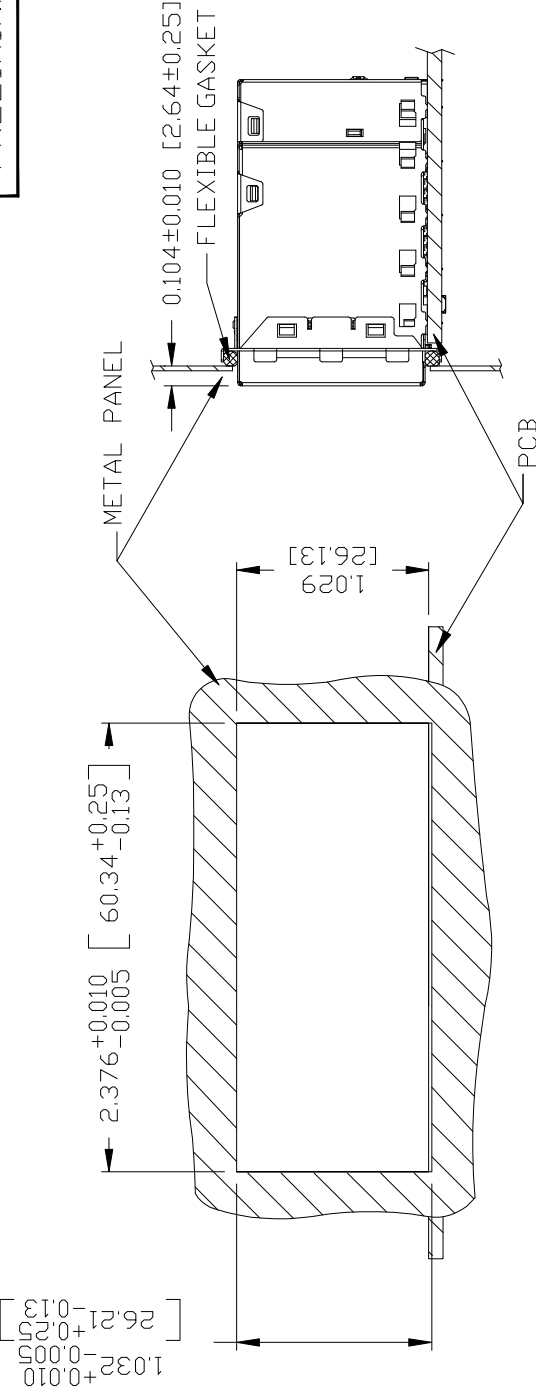


THE INFORMATION CONTAINED HEREIN IS CONSIDERED "PROPRIETARY" TO BEL FUSE INC. AND SHALL NOT BE COPIED, REPRODUCED OR DISCLOSED WITHOUT THE WRITTEN APPROVAL OF BEL FUSE INC.



SUGGESTED PANEL OPENING

PRELIMINARY



NOTE:

1. THE DISTANCE OF PANEL INSIDE SURFACE RELATIVE TO FRONT SURFACE OF PART IS ONLY A SUGGESTION. IN CASE THIS DISTANCE IS DIFFERENT, THE REQUIRED PANEL OPENING DIMENSIONS CHANGE ACCORDINGLY.
2. RECOMMENDED COMPRESSION OF THE FLEXIBLE GASKET MATERIAL OF 25%.
3. RECOMMENDED FLEXIBLE GASKET THICKNESS BEFORE COMPRESSION IS 0.103 INCH.
4. THE FLEXIBLE GASKET CAN BE ORDERD SEPARATELY VIA PART NUMBER 0080M1700-04.

PACKING INFORMATION

PACKING TRAY : 0200M9999-N1 (TOP)
0200M9999-T5 (BOTTOM)

PACKING QUANTITY : 12 PCS FINISHED GOODS PER TRAY.

7 TRAYS (84 PCS FINISHED GOODS) PER CARTON BOX.

REMARK : CARDBOARDS ARE PLACED BETWEEN LAYERS OF PACKING TRAY INSIDE CARTON BOX.

(INCLUDE THE UPPERMOST AND LOWERMOST TRAY)

ORIGINATED BY TONY YUAN	TITLE 2X4 10 Gigabit MagJack®
DATE 2023-08-11	PRESS FIT
DRAWN BY JARRY YE	PATENTED
DATE 2023-08-11	

PART NO. / DRAWING NO. G37-88NV-010B	STANDARD DIM. TOL. IN INCH
FILE NAME G37-88NV-010B_1.DWG	[] METRIC DIM. AS REF.
	UNIT : INCH [mm]
	SCALE : N/A
	SIZE : A4

REV. : 1	PAGE : 8
----------	----------



This document is electronically generated. This is a controlled copy if used internally