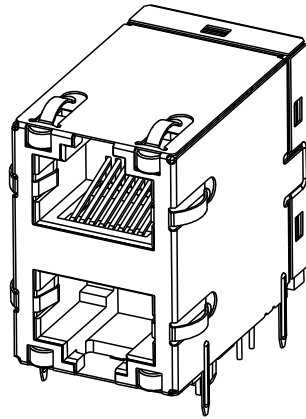


THIS DRAWING AND THE SUBJECT MATTER SHOWN THEREON ARE CONFIDENTIAL AND THE PROPERTY OF BEL/STEWART/TRP CONNECTOR AND SHALL NOT BE REPRODUCED, COPIED, OR USED IN ANY MANNER WITHOUT THE WRITTEN CONSENT OF TRP CONNECTOR.

PRODUCT MAY BE PROTECTED BY ONE OR MORE OF THE FOLLOWING US PATENTS:  
 5736910 5939955 6425781 6428361 6554638 6840817 7123117  
 7429195 7717749 7808751 6217391 6149050 7924130

REVISIONS			
REV	DATE	BY	APPD
P	EC-2305002	SM12023	PD



- MATERIALS:  
 PLASTIC HOUSING: BLACK, THERMOPLASTIC FLAMMABILITY RATING UL 94V-0  
 SHIELD: BRASS, PREPLATED WITH 0.76um MIN SEMI-BRIGHT NICKEL,  
 POST DIPPED WITH 2.54um MIN SAC SOLDER ON SOLDER TAILS,  
 CONTACTS: PHOSPHOR BRONZE, 1.27um MIN OVERALL NICKEL  
 UNDERPLATE WITH SELECT 1.27um MIN GOLD AT MATING INTERFACE  
 AND 2.54um MIN MATTE TIN ON SOLDER TAILS.  
 LED: DIFFUSED EPOXY LENS, CARBON STEEL LEAD FRAME TAILS OF LED  
 ARE PREPLATED WITH 2.03um MIN SILVER OVER 1.02um MIN NICKEL  
 UNDERPLATE OVER 1.02um MIN COPPER UNDERPLATE. POST-PLATED WITH  
 2.54um MIN MATTE TIN AND/OR SAC SOLDER DIP OR PURE TIN SOLDER DIP

- MAGNETICS  
 APPLICATION: 10/100/1000 BASE-T  
 IMPEDANCE: 100 OHMS  
 TURNS RATIO (CHIP: CABLE): 1:1 ALL FOUR PAIRS  
 OPEN CIRCUIT INDUCTANCE (OCL): 350uH MIN @100kHz, 0.1VRMS,  
 8mADC BIAS FROM 0 C TO 70 C, ALL FOUR PAIRS  
 ALL FOUR PAIRS BI-DIRECTIONAL  
 PERFORMANCE @ 25 C:  
 INSERTION LOSS (IL): 1.1dB MAX FROM 0.5MHz TO 100MHz  
 RETURN LOSS (RL): 18dB MIN FROM 0.5MHz TO 40MHz  
 12-20LOG(f/80)dB MIN FROM 40.1MHz TO 100MHz  
 CROSSTALK ATTENUATION: 35dB MIN FROM 0.5MHz TO 40MHz  
 33-20LOG(f/50)dB MIN FROM 40.1MHz TO 100MHz  
 COMMON MODE REJECTION RATIO (CMRR): 30dB MIN FROM 0.5MHz TO 100MHz  
 ISOLATION VOLTAGE: 2250VDC (MAX) FOR 60 SECONDS WITH A RISE TIME OF 500V/SEC AND  
 WITH ALL PORTS CONNECTED

- PART NUMBER, DATE CODE AND COUNTRY OF ORIGIN ARE LOCATED IN APPROXIMATE AREA SHOWN. DATE CODE: "YY" IS YEAR, "WW" IS WORK WEEK, "D" IS DAY OF WEEK, WITH SUNDAY=1

- TRP CONNECTOR LOGO AND AGENCY APPROVAL LOGO ARE LOCATED IN APPROXIMATE AREA SHOWN.

- OPERATING TEMP: FROM 0 C TO +70 C.

- RJ45 CAVITY CONFORMS TO FCC RULES AND REGULATION PART 68 SUBPART F.

- INDICATED MAGNETIC CONNECTIONS ARE SYMMETRICAL AND SUPPORT AUTO-MDI/MDIX.

- DATUM AND BASIC DIMENSION ESTABLISHED BY CUSTOMER.

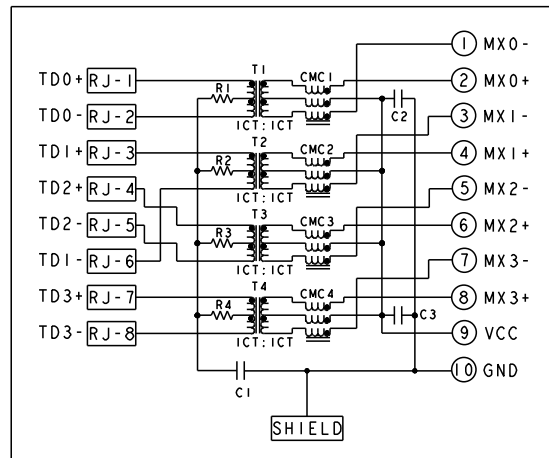
- BASIC DIMENSION ESTABLISHED BY CUSTOMER, BUT MAY NOT BE GREATER THAN 5.08mm.

- LEDS ARE DRIVEN WITH CONSTANT CURRENT AT APPROX 20mA  
 LED COLOR:  
 DOMINANT WAVELENGTH (λD): GREEN 568 nm TYP. @ IF=20mA  
 FORWARD VOLTAGE (VF): GREEN 2.2V TYP. @ IF=20mA  
 DOMINANT WAVELENGTH (λD): YELLOW 588 nm TYP. @ IF=20mA  
 FORWARD VOLTAGE (VF): YELLOW 2.1V TYP. @ IF=20mA  
 DOMINANT WAVELENGTH (λD): ORANGE 605 nm TYP. @ IF=20 mA  
 FORWARD VOLTAGE (VF): ORANGE 2.1V TYP. @ IF=20 mA  
 DOMINANT WAVELENGTH (λD): ULTRA LOW WAVELENGTH GREEN (ULWG) 525 nm TYP. @ IF=20mA  
 FORWARD VOLTAGE (VF): ULTRA LOW WAVELENGTH GREEN (ULWG) 2.8V TYP. @ IF=20mA

- THE PARTS ARE RECOMMENDED FOR WAVE SOLDERING PROCESS, PEAK TEMPERATURE 260°C MAX, 10 SECONDS MAX.

### S8G56 GIGABIT CIRCUIT

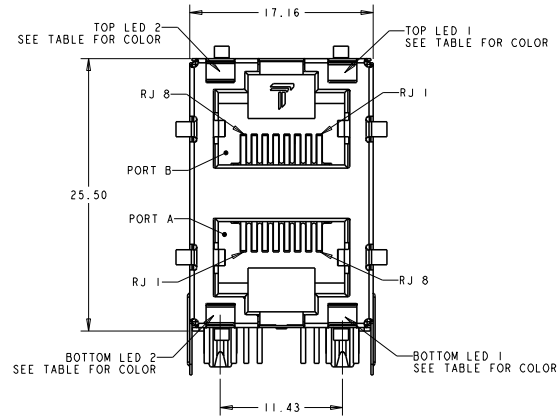
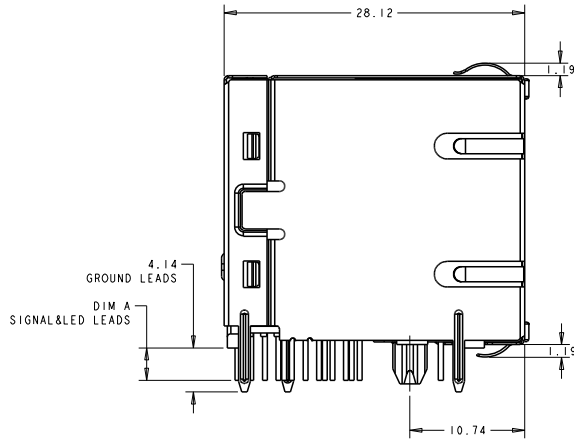
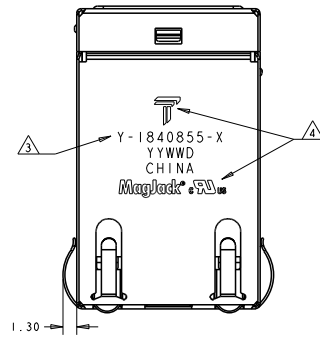
TOP AND BOTTOM PORTS


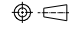


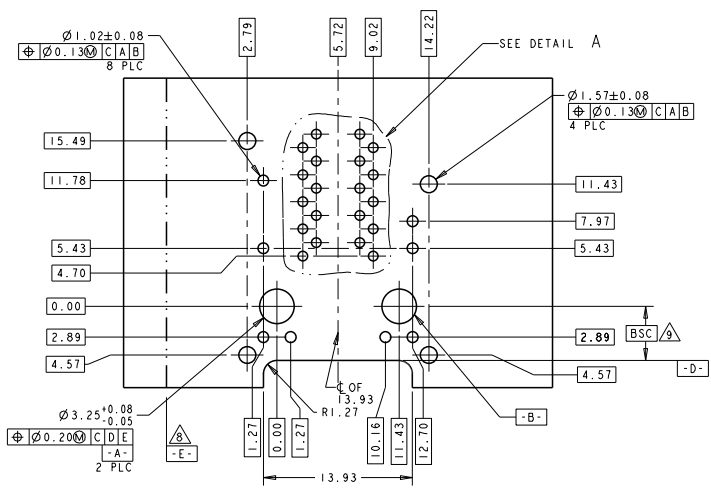
C1 = 1000pF, 2kV CAPACITOR  
 C2 - C3 = 10nF, 50V CAPACITORS  
 R1-R4 = 75 Ohms, 1/16 W, RESISTORS

2.21	YELLOW	GREEN/ORANGE	YELLOW	GREEN/ORANGE	3-1840855-5
3.04	ULWG/YEL	ULWG	ULWG	ULWG/YEL	9-1840855-7
2.00	GREEN	YELLOW	GREEN	YELLOW	5-1840855-3
3.56	GREEN/YELLOW	GREEN	GREEN/YELLOW	GREEN	4-1840855-5
3.56	GREEN	YELLOW	GREEN	YELLOW	4-1840855-3
3.56	GREEN	GREEN	GREEN	GREEN	4-1840855-1
2.21	GREEN/YELLOW	GREEN/YELLOW	GREEN/YELLOW	GREEN/YELLOW	3-1840855-4
2.21	GREEN	GREEN	GREEN	GREEN	3-1840855-1
2.08	GREEN	YELLOW	GREEN	YELLOW	2-1840855-3
2.76	GREEN	GREEN	GREEN	GREEN	1-1840855-1
4.06	ULWG/YEL	ULWG/YEL	ULWG/YEL	ULWG/YEL	1-1840855-9
4.06	GREEN/YELLOW	GREEN/YELLOW	GREEN/YELLOW	GREEN/YELLOW	1-1840855-4
3.04	GREEN	GREEN/YELLOW	GREEN	GREEN/YELLOW	1840855-8
3.04	GREEN/ORANGE	GREEN/ORANGE	GREEN/ORANGE	GREEN/ORANGE	1840855-7
2.21	GREEN	GREEN/ORANGE	GREEN	GREEN/ORANGE	1-1840855-6
3.04	GREEN	GREEN/ORANGE	GREEN	GREEN/ORANGE	1840855-6
3.04	GREEN/YELLOW	GREEN	GREEN/YELLOW	GREEN	1840855-5
3.04	GREEN/YELLOW	GREEN/YELLOW	GREEN/YELLOW	GREEN/YELLOW	1840855-4
3.04	GREEN	YELLOW	GREEN	YELLOW	1840855-3
3.04	GREEN	GREEN	GREEN	GREEN	1840855-1

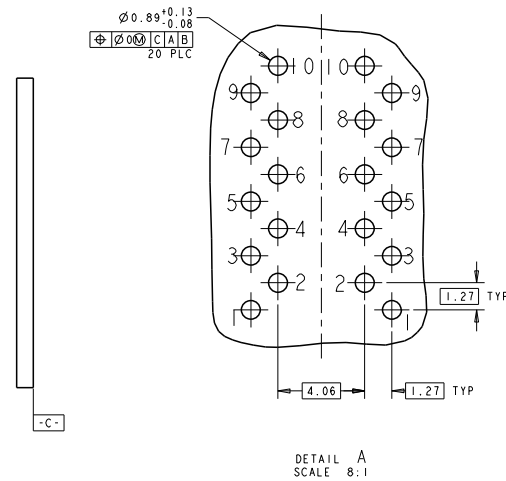
THIS DRAWING IS A CONTROLLED DOCUMENT. DIM A BOTTOM LED 2		DATE: 16NOV2010		DRAWN BY: JAMISON CHEN		DATE: 16NOV2010		CHECKED BY: TONY YUAN		DATE: 16NOV2010		APPROVED BY: JELIN ZHU		DATE: 16NOV2010		PART NUMBER	
CONFORMS TO ASME Y14.5M		DRAWN BY: JAMISON CHEN		DATE: 16NOV2010		CHECKED BY: TONY YUAN		DATE: 16NOV2010		APPROVED BY: JELIN ZHU		DATE: 16NOV2010		PART NUMBER		TRP CONNECTOR	
DIMENSIONS: mm		DRAWN BY: JAMISON CHEN		DATE: 16NOV2010		CHECKED BY: TONY YUAN		DATE: 16NOV2010		APPROVED BY: JELIN ZHU		DATE: 16NOV2010		PART NUMBER		DONGGUAN CHINA	
PRODUCT SPEC: 108-104004		APPLICATION SPEC: -		MAGJACK		STACK NON-POE		SIZE: A1		DATE CODE: 1840855		DRAWING NO: 1840855		RESTRICTED TO: -		CUSTOMER DRAWING	
SCALE: NTS		SHEET: 1		OF: 4		REV: p											



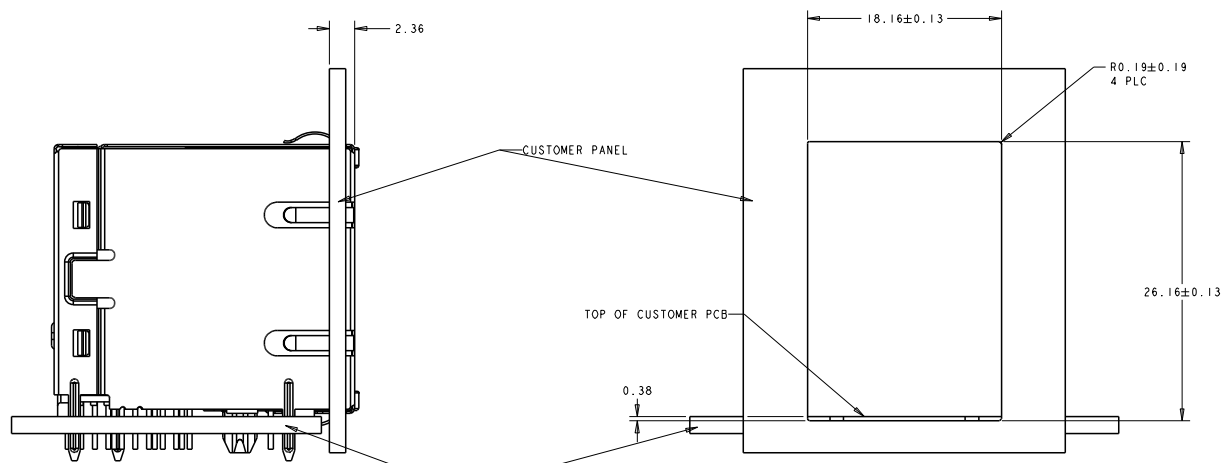
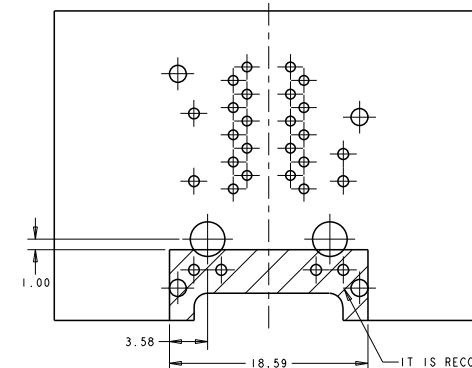
THIS DRAWING IS A CONTROLLED DOCUMENT, AND COMPLIANT TO ASME Y14.5M		DRN: JAMISON.CHEN/16NOV2010	 <b>trp</b> CONNECTOR DONGGUAN CHINA	
DIMENSIONS: mm		CHK: TONY.YUAN/16NOV2010	MODEL NAME: 2X1 GIGABIT S8G56 WITH LED SIZE: A1 CASE CODE: DRAWING NO: 1840855 RESTRICTED TO	
 DIM A PRODUCT SPEC: 108-104004 APPLICATION SPEC:		APR: KEITH.ZHU/16NOV2010	MAGJACK STACK NON-POE CUSTOMER DRAWING SCALE: NTS SHEET 2 OF 4 REV: P	



RECOMMENDED PCB LAYOUT  
COMPONENT SIDE VIEW



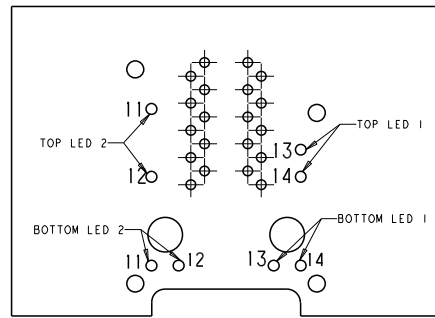
DETAIL A  
SCALE 8:1



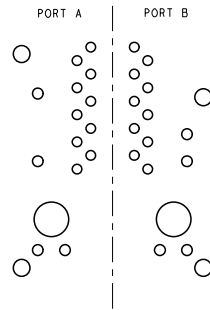
SHOWN WITH PANEL AND  
CUSTOMER PCB ASSEMBLY

SUGGESTED PANEL CUTOUT DIMENSIONS

THIS DRAWING IS A CONTROLLED DOCUMENT, AND COMPLIANT TO ASME Y14.5M		DPN: JAMISON CHEN 16NOV2010 CHK: TONY YUAN 16NOV2010 APD: MELIA ZHU 16NOV2010		<b>trp CONNECTOR</b> DONGGUAN CHINA
DIMENSIONS: mm		MODEL NAME: MAGJACK CASE CODE: STACK NON-POE		
PRODUCT SPEC: 108-104004 APPLICATION SPEC:		PRODUCT SPEC: 108-104004 APPLICATION SPEC:		RESTRICTED TO SHEET 3 OF 4 REV. P

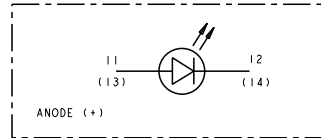


LED HOLE DESIGNATIONS  
VIEWED FROM COMPONENT SIDE

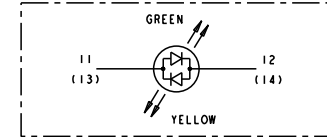


PORT ASSIGNMENT  
COMPONENT SIDE VIEW

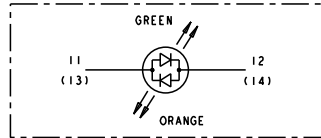
SINGLE COLOR LED



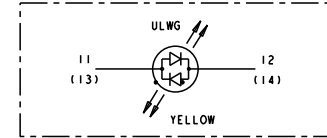
BI-COLOR LED


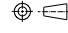


BI-COLOR LED



BI-COLOR LED



THIS DRAWING IS A CONTROLLED DOCUMENT, AND COMPLIANT TO ASME Y14.5M		DRN JAMISON CHEN/16NOV2010	 <b>trp</b> CONNECTOR DONGGUAN CHINA <small>© 2010 trp connector</small>	
DIMENSIONS: mm		CHK TONY YUAN/16NOV2010	DRAWING NO.	
		APPR WELI WU/16NOV2010	CASE CODE <b>A1</b>	
PRODUCT SPEC 108-104004		MODEL NAME MAGJACK STACK NON-POE	2X1 GIGABIT S8G56 WITH LED SCALE NTS	
APPLICATION SPEC		CUSTOMER DRAWING		RESTRICTED TO - REV. p
		SHEET 4 OF 4		REV. p