

- NOTE:
1. FIBRE SIZE: 9/125, 50/125 OR 62.5/125
 2. FIBRE TYPE:
6 CORE MIL-TAC D Ø6.0mm (BACKSHELL)
900um BUFFERED FIBRE (NO BACKSHELL)
 3. MATERIAL:
SHELL: STAINLESS STEEL 316, PASSIVATED
BACKSHELL: ACETAL, BLACK
 4. BACKSHELL CANNOT BE FITTED WHEN MOUNTING FROM FRONT

CONNECTOR WITHOUT BACKSHELL

(SEE SHEET 2 FOR CONNECTOR WITH BACKSHELL)

A		FIRST ISSUE		GM	05/04/18
ISSUE	CHANGE DESCRIPTION			CHECKED	DATE
DRAWN	MATERIAL	FINISH		MILITARY: NO RATING : N/A	
MEH	SEE KIT LIST	SEE KIT LIST			
CHECKED					
GM					

UNLESS OTHERWISE STATED:
ALL DIMENSIONS ARE IN mm

FIBRECO DRAWING TITLE
HOUSING STANDARD FLANGE
DURACON-EB PLUG 6CH OUTLINE

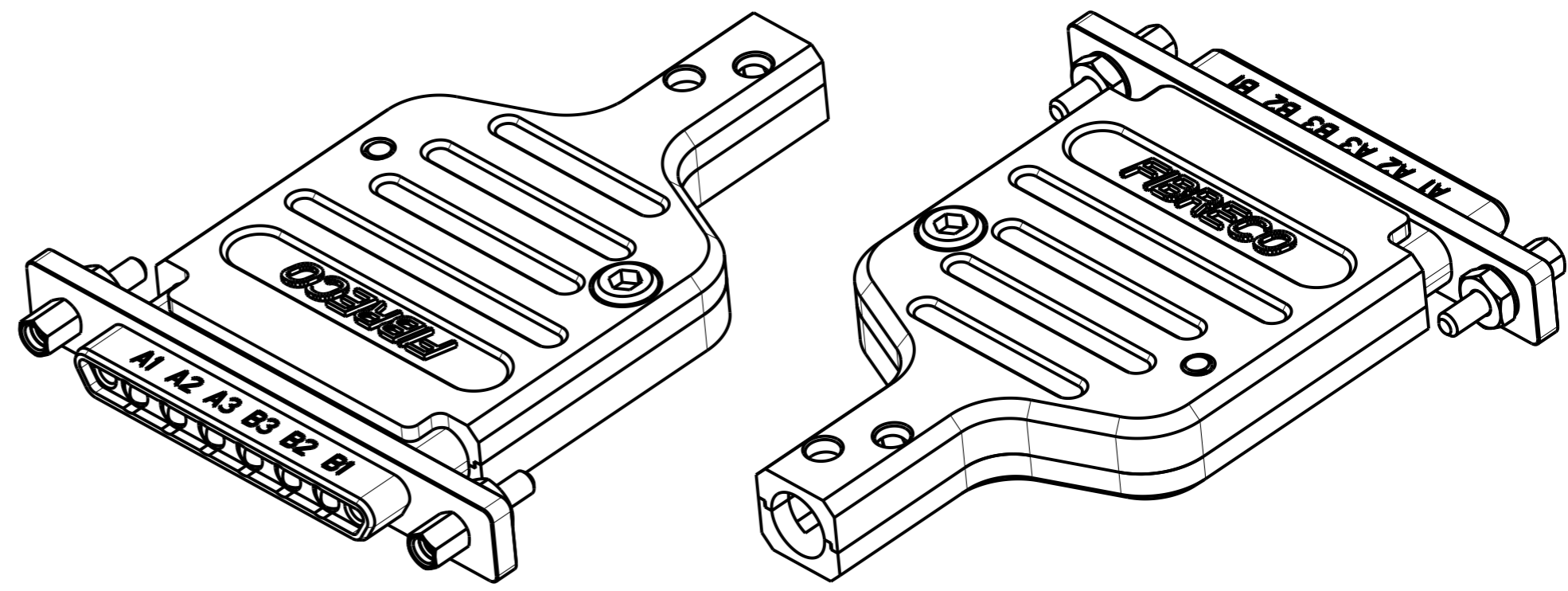
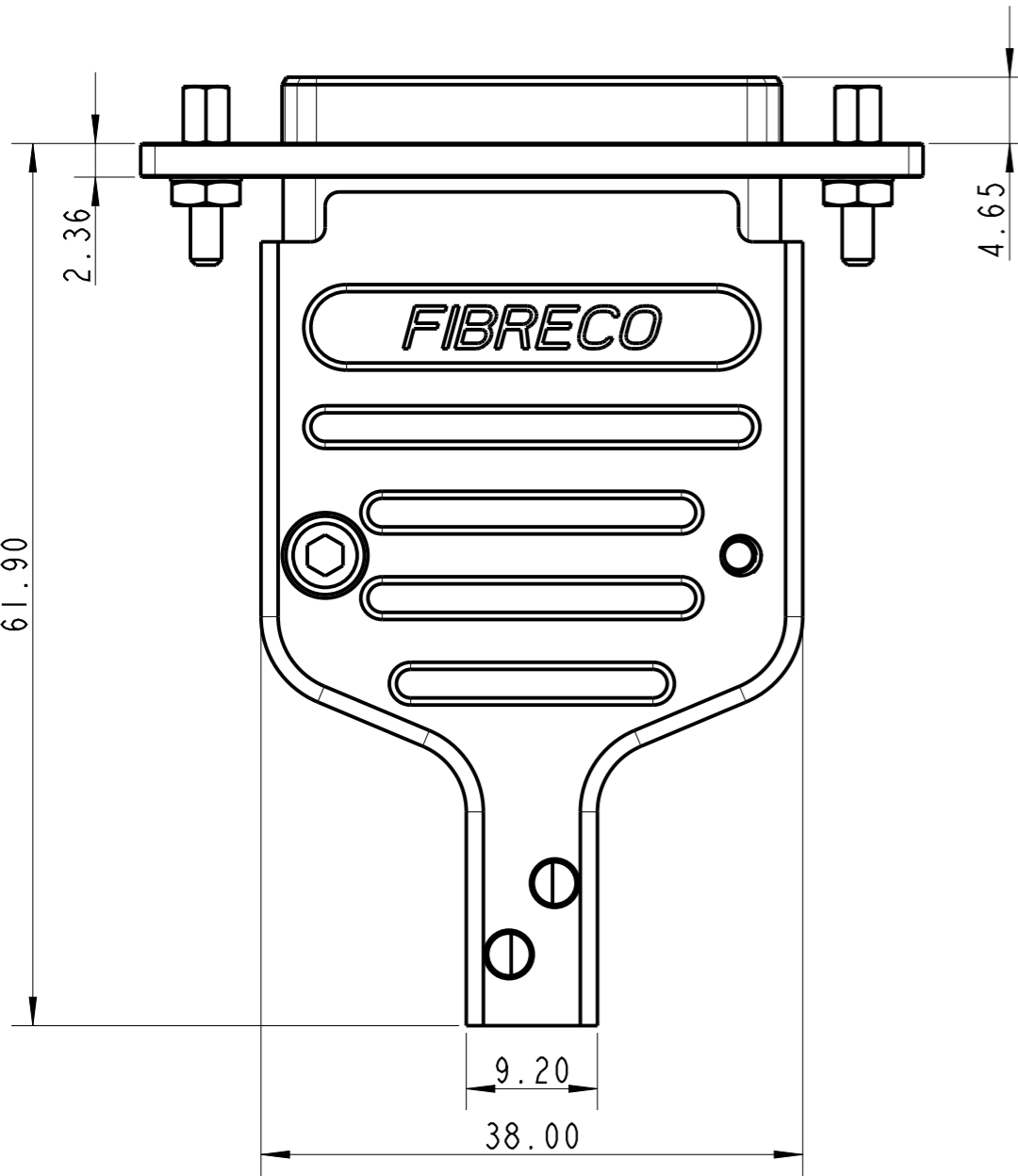
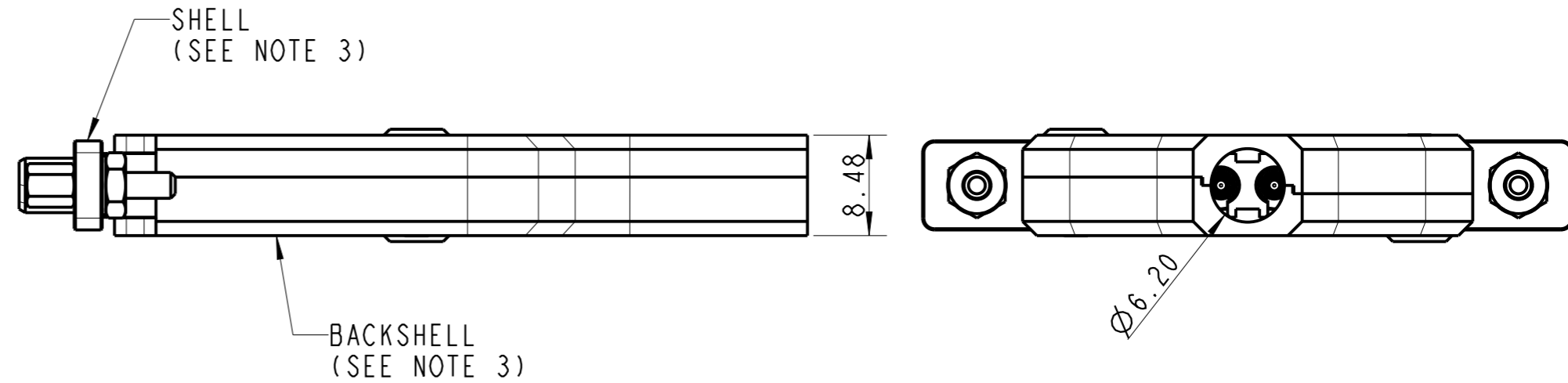
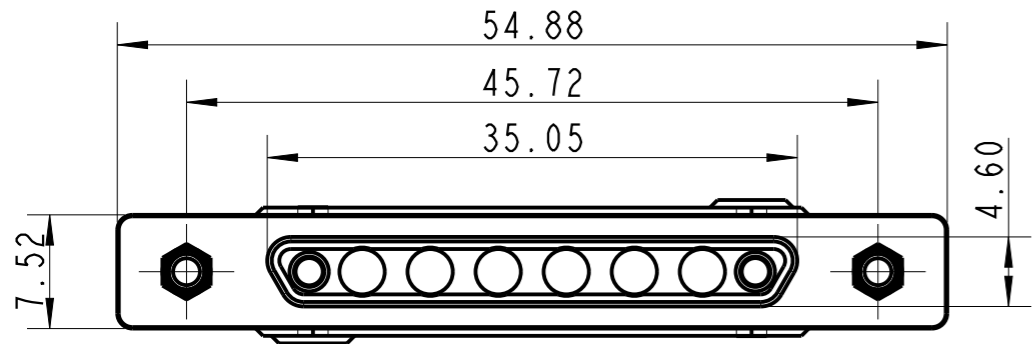
CONFIDENTIAL - THE INFORMATION CONTAINED IN THIS DRAWING IS THE SOLE PROPERTY OF CINCH LTD. ANY REPRODUCTION IN PART OR AS A WHOLE WITHOUT THE WRITTEN PERMISSION OF CINCH LTD IS PROHIBITED

Cinch Connectivity Solutions LTD
11 BILTON ROAD, CHELMSFORD, ESSEX. CMI 2UP
TEL: +44 (0) 1245 342060

FIBRECO DRAWING NUMBER
5496C

THIRD ANGLE
ORIGINAL: A3
SCALE: NTS

SHEET 1
OF 2



CONNECTOR WITH BACKSHELL

(SEE SHEET 1 FOR CONNECTOR WITH BACKSHELL)

SEE SHEET 1 FOR NOTES

				UNLESS OTHERWISE STATED: ALL DIMENSIONS ARE IN mm		CONFIDENTIAL - THE INFORMATION CONTAINED IN THIS DRAWING IS THE SOLE PROPERTY OF CINCH LTD. ANY REPRODUCTION IN PART OR AS A WHOLE WITHOUT THE WRITTEN PERMISSION OF CINCH LTD IS PROHIBITED		Cinch Connectivity Solutions LTD 11 BILTON ROAD, CHELMSFORD, ESSEX. CMI 2UP TEL: +44 (0) 1245 342060		 THIRD ANGLE ORIGINAL: A3 SCALE: NTS
A	FIRST ISSUE	GM	05/04/18							
ISSUE	CHANGE DESCRIPTION	CHECKED	DATE							
DRAWN MEH	MATERIAL SEE KIT LIST	FINISH SEE KIT LIST		MILITARY: NO RATING : N/A		FIBRECO DRAWING TITLE HOUSING STANDARD FLANGE DURACON-EB PLUG 6CH OUTLINE		FIBRECO DRAWING NUMBER 5496C		SHEET 2 OF 2